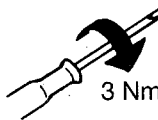
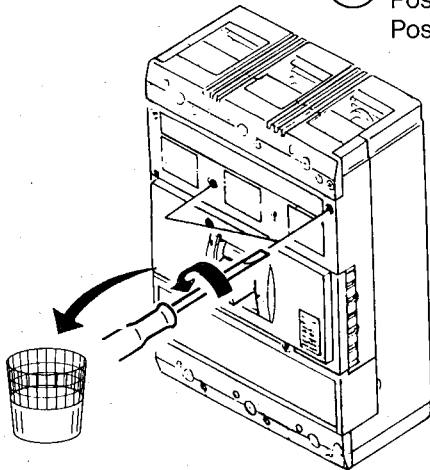
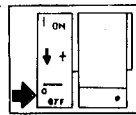


## KV 2-NZM 10 KV 3-NZM 10 KVA 3-NZM 10

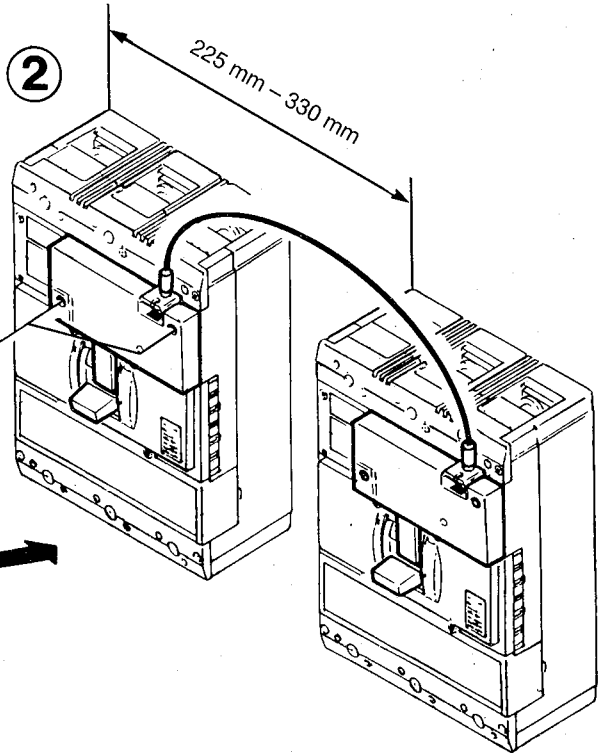
für NZM 10(4), P 10(4)  
for NZM 10(4), P 10(4)  
pour NZM 10(4), P 10(4)

### KV 2-NZM 10

**1** Schaltstellung: OFF  
Position: OFF  
Position: OFF



**2**



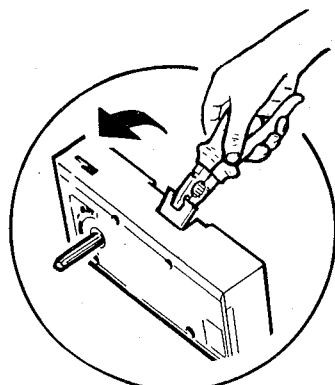
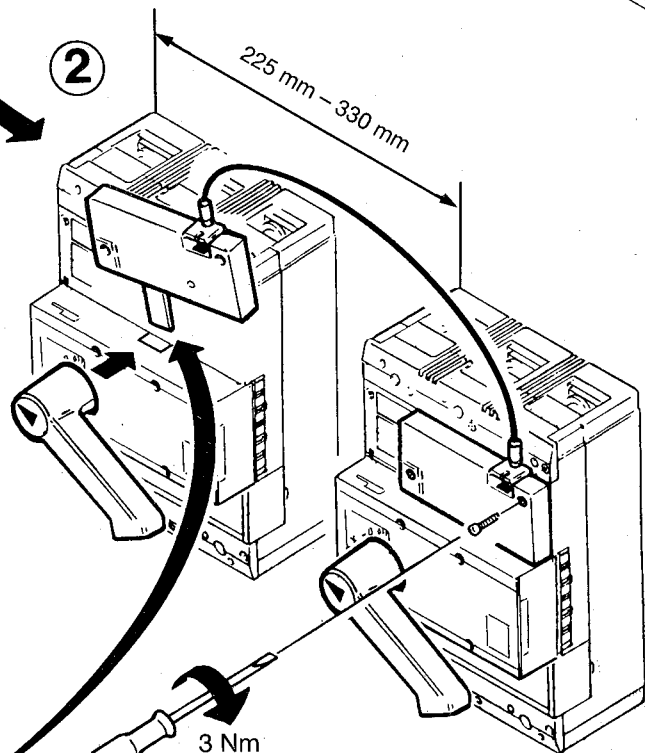
**A**

**B**

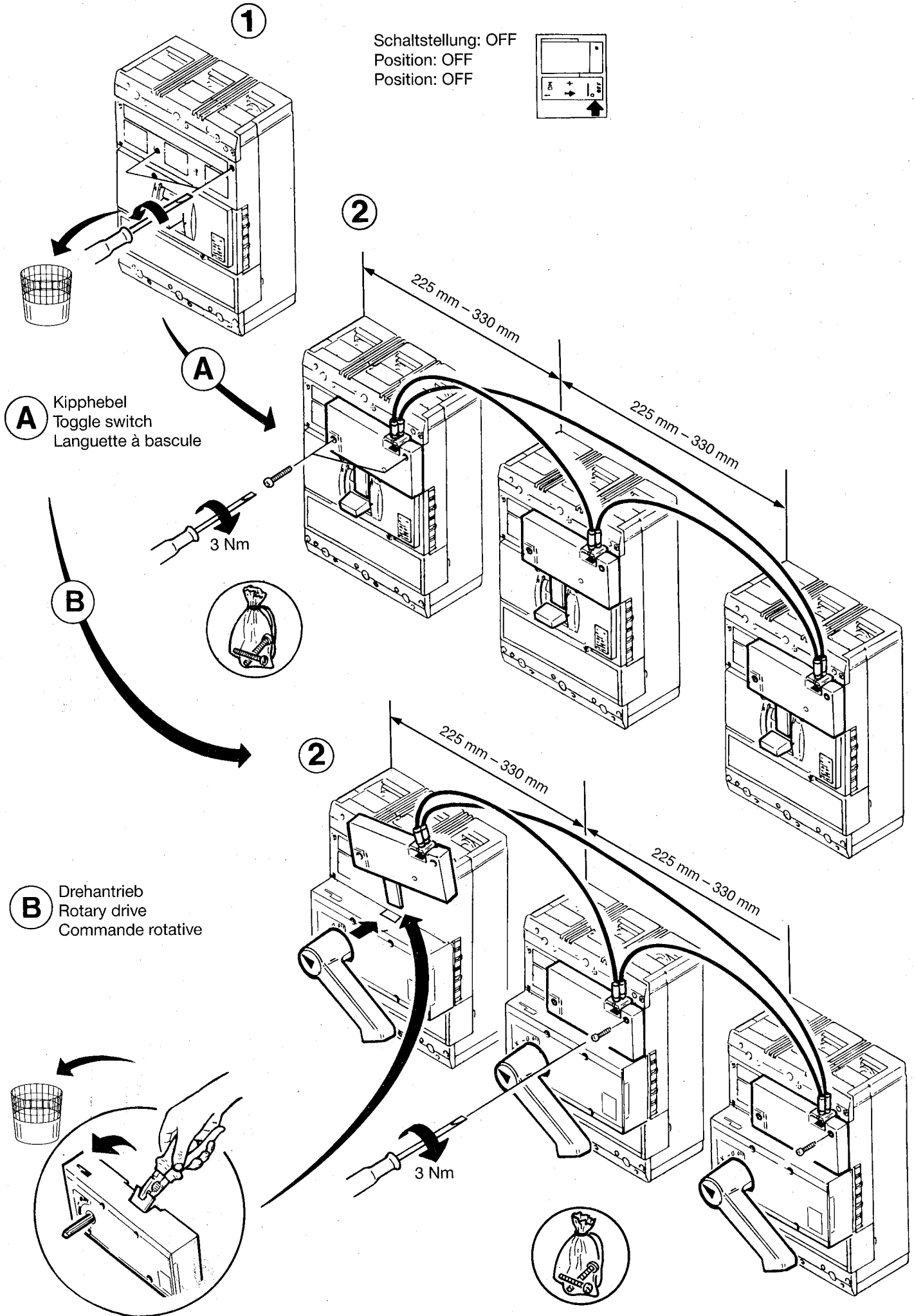
**A** Kipphebel  
Toggle switch  
Langette à bascule

**B** Drehantrieb  
Rotary drive  
Commande rotative

**2**

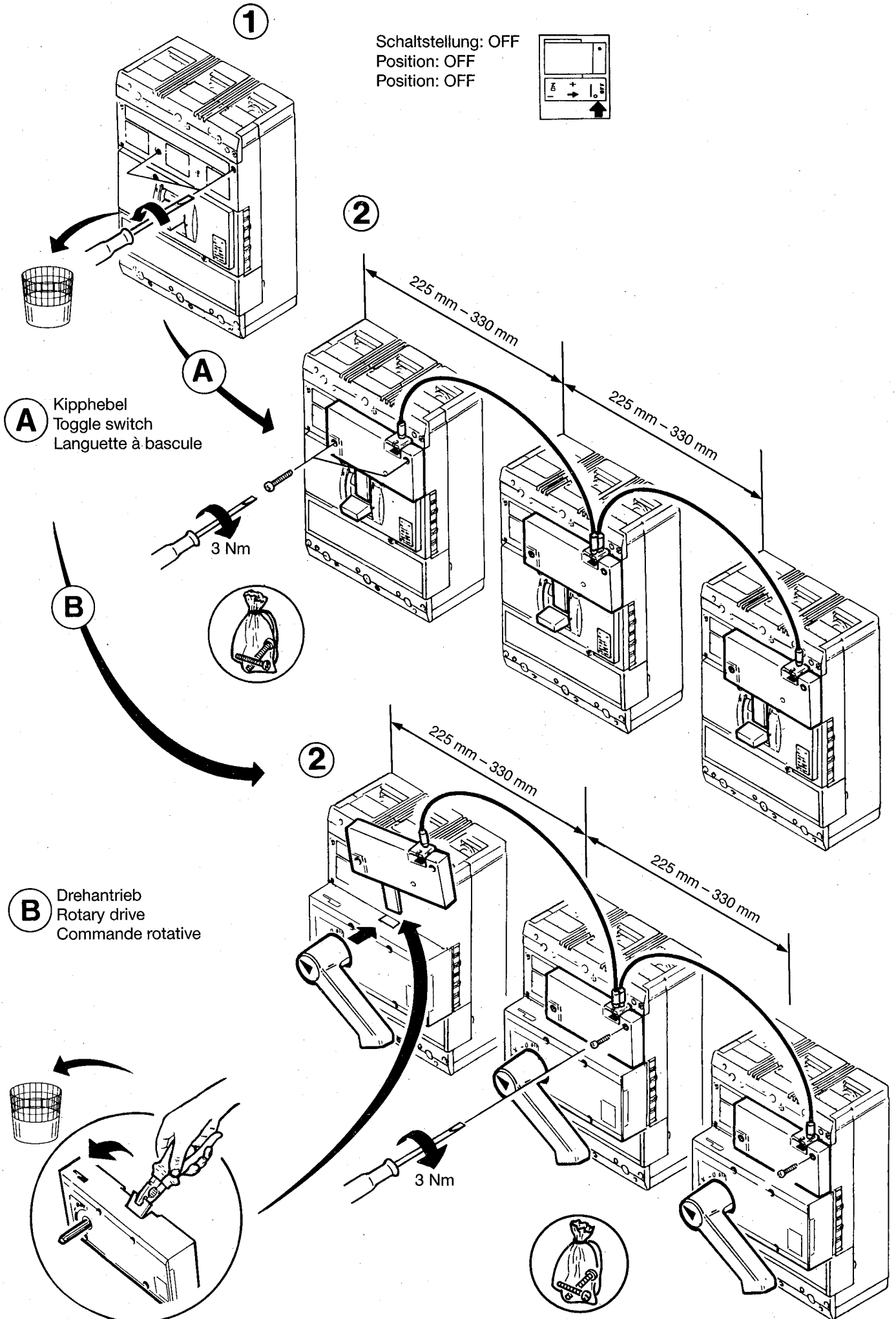


# KV 3-NZM 10



For Immediate Delivery call [KMParts.com](http://KMParts.com) at (866) 595-9616

# KVA 3-NZM 10



For Immediate Delivery call [KMParts.com](http://KMParts.com) at (866) 595-9616