

MOELLER

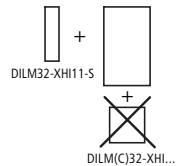
ALPHA LOVAG

**DILM(C)17...M(C)38...
DILMF8...MF32...**

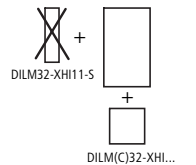
**DILM(C)32-XHI...
DILM32-XHI11-S**

Hilfsschalterbaustein
Auxiliary contact module
Module de contacts auxiliaires
Modulo contatti ausiliari
Módulo de contactos auxiliares
Модуль вспомогательных выключателей
辅助开关组

DILM(C)17...M(C)38...
DILMF8...MF32



DILM(C)17...M(C)38...
DILMF8...MF32

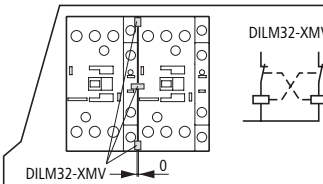
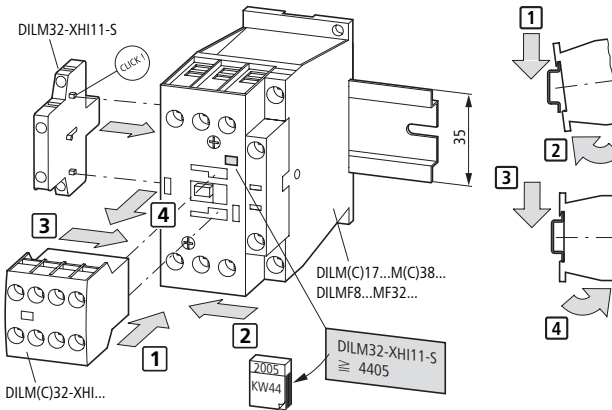


Montage
Mounting
Montage
Montaggio
Montaje
Монтаж
安裝

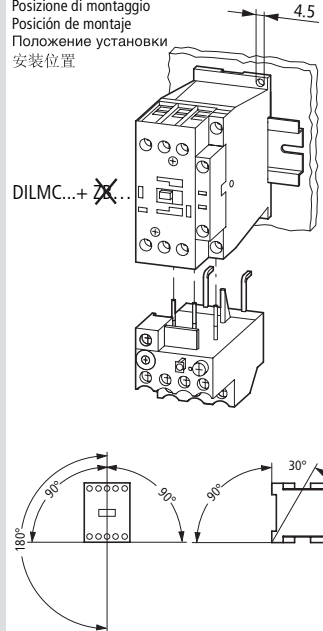
- | | | | |
|---------------------|-----------------------|-------------------|------|
| ① aufsetzen | ① place in position | ① mettre en place | ① 装配 |
| ② rasten | ② latch in | ② encliqueter | ② 装上 |
| ① appoggiare | ① colocar en posición | ① осадить | ② 嵌入 |
| ② inserire a scatto | ② enclavar | ② зафиксировать | |

Demontage
Dismantling
Démontage
Smontaggio
Desmontaje
Разборка
拆卸

- | | | | |
|------------|-------------|-------------|------|
| ③ schieben | ③ push | ③ pousser | ③ 推 |
| ④ abziehen | ④ remove | ④ retirer | ④ 拔出 |
| ③ inserire | ③ desplazar | ③ задвинуть | |
| ④ estrarre | ④ extraer | ④ снять | |



Einbaulage
Mounting position
Position de montage
Posizione di montaggio
Posición de montaje
Положение установки
安裝位置

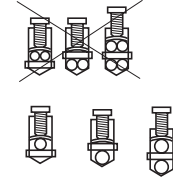


07/07 AWA2100-2127

Montageanweisung
Installation Instructions
Notice d'installation
Istruzioni per il montaggio

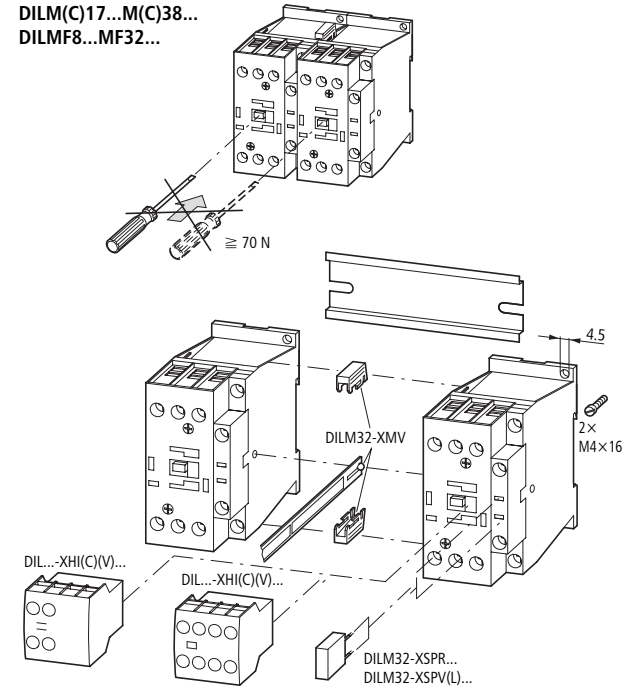
Instrucciones de montaje
Инструкция по монтажу
安裝說明

	mm ²	AWG	Nm	lb-in
	1 × (0.75 - 16)	14 - 8	3.2	28
	2 × (0.75 - 10)			
	1 × (0.75 - 10)			
	2 × (0.75 - 10)			
	1 × 16			



A1/A2 13/14 21/22	mm ²	AWG	Nm	lb-in
	0.75 - 2.5	18 - 14	1.2	10.6

**DILM(C)17...M(C)38...
DILMF8...MF32...**



Warning!
The opening of the branch-circuit protective device may be an indication that a fault has been interrupted. To reduce the risk of fire or electrical shock, current-carrying parts and other components of the controller should be examined and replaced if damaged. If burnout of the element of an overload relay occurs, the complete overload relay must be replaced.

**DIULM...
SDAINLM...
→ www.moeller.net/support**

For Immediate Delivery call KMParts.com at (866) 595-9616

07/07 AWA2100-2127
Printed in Germany (07/07)

Änderungen
vorbehalten

Moeller GmbH, Industriautomation,
D-53105 Bonn © 2004 by Moeller GmbH