

SDAINL

Moeller HPL0211-2007/2008

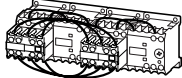
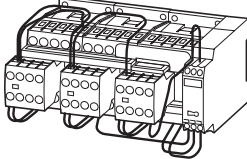











http://catalog.moeller.net

Rated operational current AC-3	Max. rating for three-phase motors, 50 – 60 Hz				Max. changeover time
	220 V 230 V	380 V 400 V	500 V	660 V 690 V	
I_e	P	P	P	P	s
A	kW	kW	kW	kW	s

Part no. Article no.	Price see price list	Std. pack
-------------------------	-------------------------	-----------

Star-delta combinations

Operating frequency
max. 30 starts/hour
AC operation

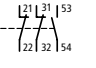
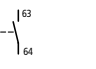


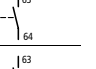
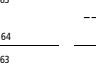


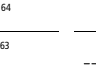
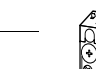
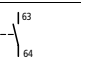

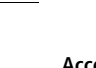
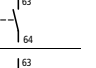
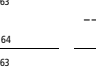
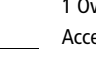
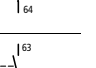
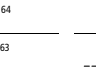
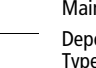
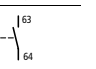

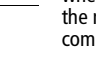
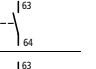
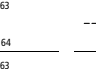
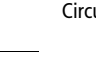
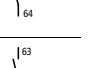
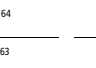










	12	12	12	16	16	22	22	30	30	45	45	55	55
	4	3	3	4	4	5.5	5.5	7.5	7.5	11	11	15	15
	5.5	5.5	5.5	7.5	7.5	11	11	18.5	18.5	22	22	30	30
	5.5	5.5	5.5	7.5	7.5	11	11	18.5	18.5	22	22	30	30
	7.5	7.5	7.5	11	11	11	11	18.5	18.5	22	22	30	30
	7.5	7.5	7.5	11	11	11	11	18.5	18.5	22	22	30	30
	11	11	11	15	15	18.5	18.5	22	22	30	30	37	37
	11	11	11	15	15	18.5	18.5	22	22	30	30	37	37
	18.5	18.5	18.5	22	22	30	30	37	37	30	30	37	37
	18.5	18.5	18.5	22	22	30	30	37	37	30	30	37	37
	22	22	22	30	30	37	37	30	30	37	37	30	30
	22	22	22	30	30	37	37	30	30	37	37	30	30
	30	30	30	37	37	30	30	37	37	30	30	37	37
	30	30	30	37	37	30	30	37	37	30	30	37	37

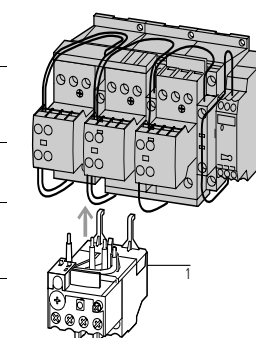
http://catalog.moeller.net

Moeller HPL0211-2007/2008

SDAINL

Individual components of the combination				Spare auxiliary contacts			Notes
Mains contactor Q11	Delta contactor Q15	Star contactor Q13	Timing relay K1	Q11	Q13	Q15	
Part no.	Part no.	Part no.	Part no.				

DILEM-10 + 22DILEM	DILEM-01	DILEM-10 + 02DILEM	DILET		-	-	
DILM7-10 + DILA-XHI20	DILM7-01 + DILA-XHI20	DILM7-01 + DILA-XHI20	ETR4-51				
DILM7-10 + DILA-XHI20	DILM7-01 + DILA-XHI20	DILM7-01 + DILA-XHI20					
DILM9-10 + DILA-XHI20	DILM9-01 + DILA-XHI20	DILM7-01 + DILA-XHI20					
DILM9-10 + DILA-XHI20	DILM9-01 + DILA-XHI20	DILM7-01 + DILA-XHI20					
DILM12-10 + DILA-XHI20	DILM12-01 + DILA-XHI20	DILM7-01 + DILA-XHI20					
DILM12-10 + DILA-XHI20	DILM12-01 + DILA-XHI20	DILM7-01 + DILA-XHI20					
DILM17-10 + DILA-XHI20	DILM17-01 + DILA-XHI20	DILM17-01 + DILA-XHI20					
DILM17-10 + DILA-XHI20	DILM17-01 + DILA-XHI20	DILM17-01 + DILA-XHI20					
DILM25-10 + DILA-XHI20	DILM25-01 + DILA-XHI20	DILM17-01 + DILA-XHI20					
DILM25-10 + DILA-XHI20	DILM25-01 + DILA-XHI20	DILM17-01 + DILA-XHI20					
DILM32-10 + DILA-XHI20	DILM32-01 + DILA-XHI20	DILM25-01 + DILA-XHI20					
DILM32-10 + DILA-XHI20	DILM32-01 + DILA-XHI20	DILM25-01 + DILA-XHI20					



Accessories
1 Overload relay → 6/7
Accessories → 5/42

Main circuit:
Depending on the coordination type required (i.e. Type "1" or Type "2") it must be established whether the fuse protection and the input wiring for the mains contactor and delta contactor are to be common or separate.

Circuit diagram → Engineering

Contactor combinations

Contactor combinations