

Rated operational current	Max. rating for three-phase motors, 50 – 60 Hz							Conventional free air thermal current $I_{th} = I_e$ AC-1 at 60 °C	Contacts	Contact sequence
	AC-3			AC-4						
380 V 400 V	220 V 230 V	380 V 400 V	660 V 690 V	220 V 230 V	380 V 400 V	660 V 690 V	$I_{th} = I_e$	Open	N/O = Normally open N/C = Normally closed	
I_e	P	P	P	P	P	P				
A	kW	kW	kW	kW	kW	kW	A			

Basic units

Screw terminals

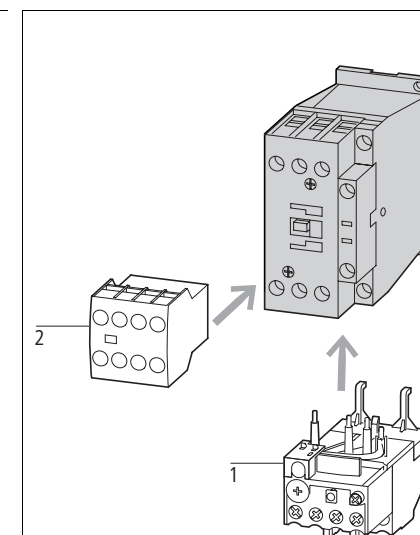
	3 pole	7	2.2	3	3.5	1	2.2	2.9	20	1 N/O	
		7	2.2	3	3.5	1	2.2	2.9	20	1 N/C	
		9	2.5	4	4.5	1.5	2.5	3.6	20	1 N/O	
		9	2.5	4	4.5	1.5	2.5	3.6	20	1 N/C	
		12	3.5	5.5	6.5	2	3	4.4	20	1 N/O	
		12	3.5	5.5	6.5	2	3	4.4	20	1 N/C	
		18	5	7.5	11	2.5	4.5	6.5	35	1 N/O	
		18	5	7.5	11	2.5	4.5	6.5	35	1 N/C	
		25	7.5	11	14	3.5	6	8.5	40	1 N/O	
		25	7.5	11	14	3.5	6	8.5	40	1 N/C	
	3 pole	40	12.5	18.5	23	5	9	12	50		
		50	15.5	22	30	6	10	14	65		
		65	20	30	35	7	12	17	80		
	3 pole	80	25	37	63	12	20	26	90		
		95	30	45	75	16	26	35	110		
		115	37	55	90	17	28	43	130		
		150	48	75	96	20	33	48	160		

Notes

All contactors have a built-in suppressor circuit.
Mirror contact for DILMF8-01 to DILMF32-01
Contactor contact according to EN 50012



Can be combined with auxiliary contact	AC operation	Std. pack	Notes
	Part no. Article no.	Price see price list	
	DILMF8-10(RAC240) 104413		
	DILMF8-01(RAC240) 104417		
	DILMF11-10(RAC240) 104421		
	DILMF11-01(RAC240) 104425		
	DILMF14-10(RAC240) 104429		
	DILMF14-01(RAC240) 104433		
	DILMF17-10(RAC240) 104437		
	DILMF17-01(RAC240) 104441		
	DILMF25-10(RAC240) 104445		
	DILMF25-01(RAC240) 104449		
	DILMF32-10(RAC240) 104453		
	DILMF32-01(RAC240) 104457		
	DILMF40(RAC240) 104461		
	DILMF50(RAC240) 104465		
	DILMF65(RAC240) 104469		
	DILMF80(RAC240) 104473		
	DILMF95(RAC240) 104477		
	DILMF115(RAC240) 104481		
	DILMF150(RAC240) 104485		
		1 off	



Accessories

- 1 Overload relay
- 2 Auxiliary contact module
- Further actuating voltages
- Accessories

Page

- 6/7
- 5/28
- 5/58
- 5/43

- Contactors suitable for semi-conductor industry according to SEMI F47.
- Contactors humm-free, suitable for building services automation.
- Operating mechanism adjustable from 50 Hz to 400 Hz.