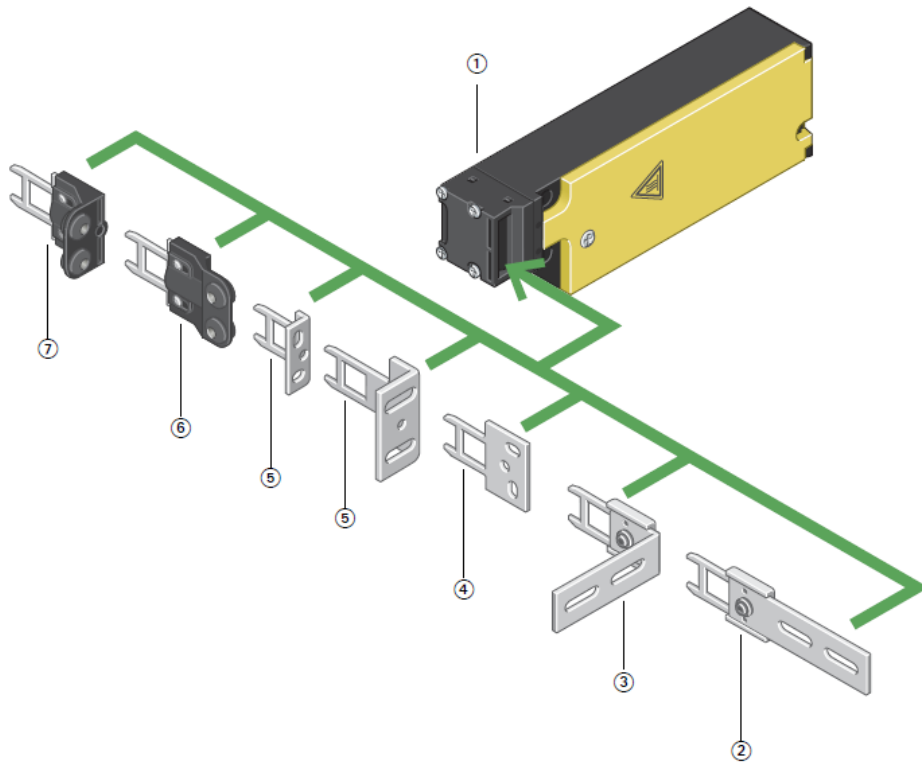


Solenoid Safety Interlock Switches (LS-...ZBZ)



[Type the document subtitle]

[Type the abstract of the document here. The abstract is typically a short summary of the contents of the document. Type the abstract of the document here. The abstract is typically a short summary of the contents of the document.]

NEW STYLE
"LS" SERIES

Safety LOCKING Cover / Door Interlock Switches

Legacy Series - AT0-xx-xxx-xxT-ZBZ/X (Gray Cover)

Current series - LS-Sxx-xxx-xxT-ZBZ-X (Yellow Cover)



(941) 473-0073



OLDER "AT0"
SERIES

Lock Coil Voltage	<p>Spring-power activated interlock switch</p> <p>Power required to <u>DEACTIVATE</u></p> <p>interlock • with interlock monitoring • monitoring of door position: continuous</p>	<p>Electro-magnet activated interlock switch</p> <p>Power required to <u>ACTIVATE</u></p> <p>interlock • with interlock monitoring • monitoring of door position: continuous</p>
-------------------------	--	--

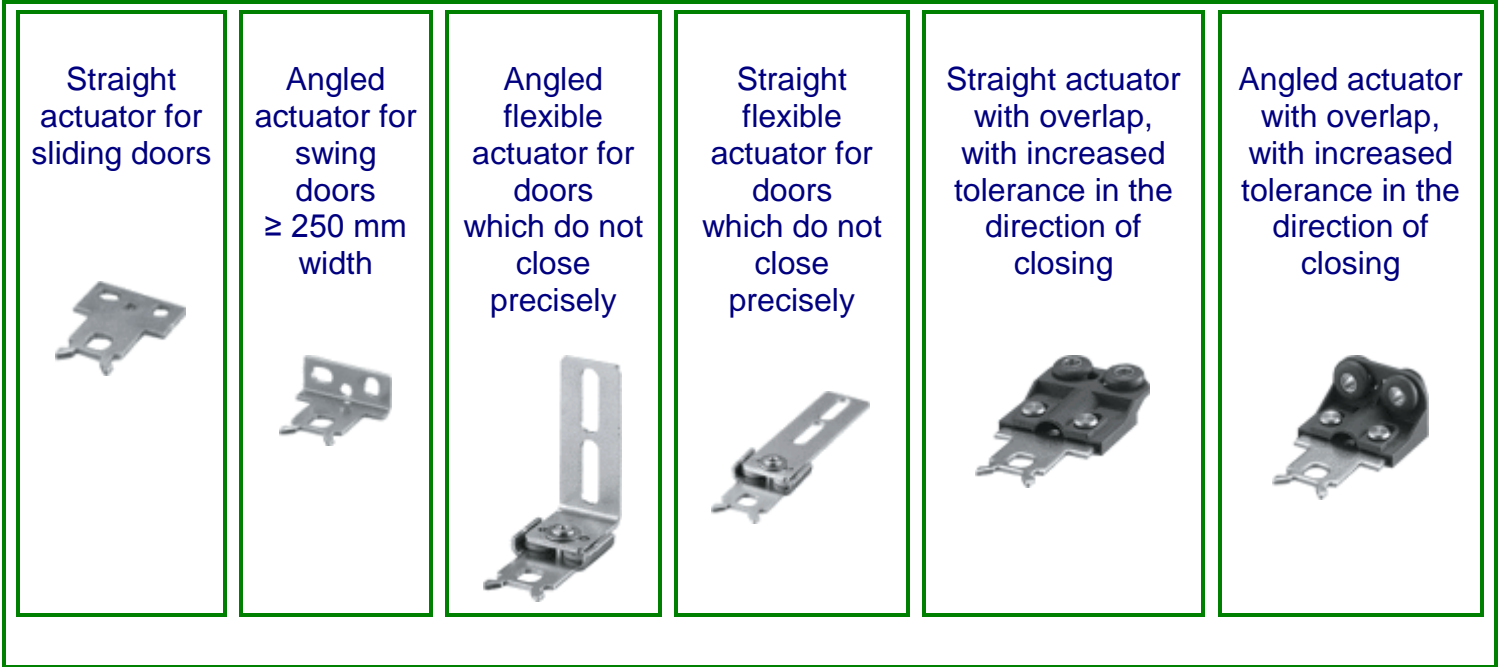
24vdc	<p>AT0-11-24DFT-ZBZ/X LS-S11-24DFT-ZBZ-X</p>	<p>AT0-11-24DMT-ZBZ/X LS-S11-24DMT-ZBZ-X</p>
	<p>AT0-02-24DFT-ZBZ/X LS-S02-24DFT-ZBZ-X</p>	<p>AT0-02-24DMT-ZBZ/X LS-S02-24DMT-ZBZ-X</p>
120vac	<p>AT0-11-120AFT-ZBZ/X LS-S11-120AFT-ZBZ-X</p>	<p>AT0-11-120AMT-ZBZ/X LS-S11-120AMT-ZBZ-X</p>
	<p>AT0-02-120AFT-ZBZ/X LS-S02-120AFT-ZBZ-X</p>	<p>AT 0-02-120AMT-ZBZ/X LS-S02-120AMT-ZBZ-X</p>
230vac	<p>AT0-11-230AFT-ZBZ/X LS-S11-230AFT-ZBZ-X</p>	<p>AT0-11-230AMT-ZBZ/X LS-S11-230AMT-ZBZ-X</p>
	<p>AT0-02-230AFT-ZBZ/X LS-S02-230AFT-ZBZ-X</p>	<p>AT0-02-230AMT-ZBZ/X LS-S02-230AMT-ZBZ-X</p>

Actuators for combination with the AT0 and LS Locks

G-ZBZ	W-ZBZ	F-ZBZ	FG-ZBZ	NG-ZBZ	NW-ZBZ
LS-XG-ZBZ	LS-W-ZBZ	LS-F-ZBZ	LS-FG-ZBZ	LS-NG-ZBZ	LS-NW-ZBZ



(941) 473-0073

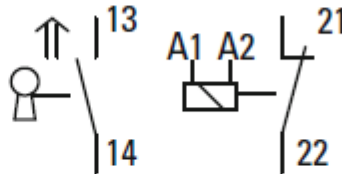


Contacts

Contact Sequence

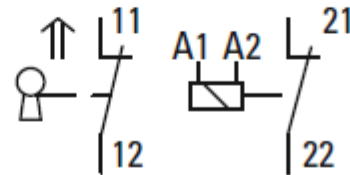
Ordering (Key not)

1NO and 1NC with positive opening



LS-S11-

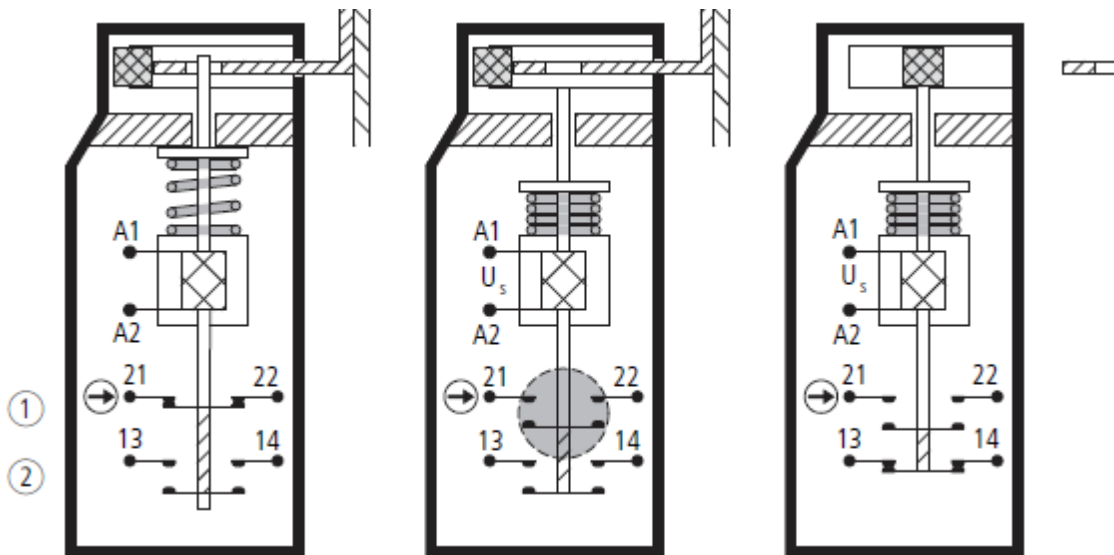
2NC with positive opening



LS-S02-



(941) 473-0073



Door closed and interlocked

→ Coil de-energised in (A1, A2) even with mains failure or wire breakage: door interlocked = safe state
Safety contact (21-22) closed
signalling contact (13-14) open

To unlock door

→ Apply voltage to coil (A1, A2) e.g. via zero-speed monitor
safety contact (21-22) opens
Signalling contact (13-14) remains open

Door open

→ only possible once it is released
signalling contact (13-14) closes

Door open

→ Safety contact (21-22) open
Signalling contact (13-14) closed

Close door

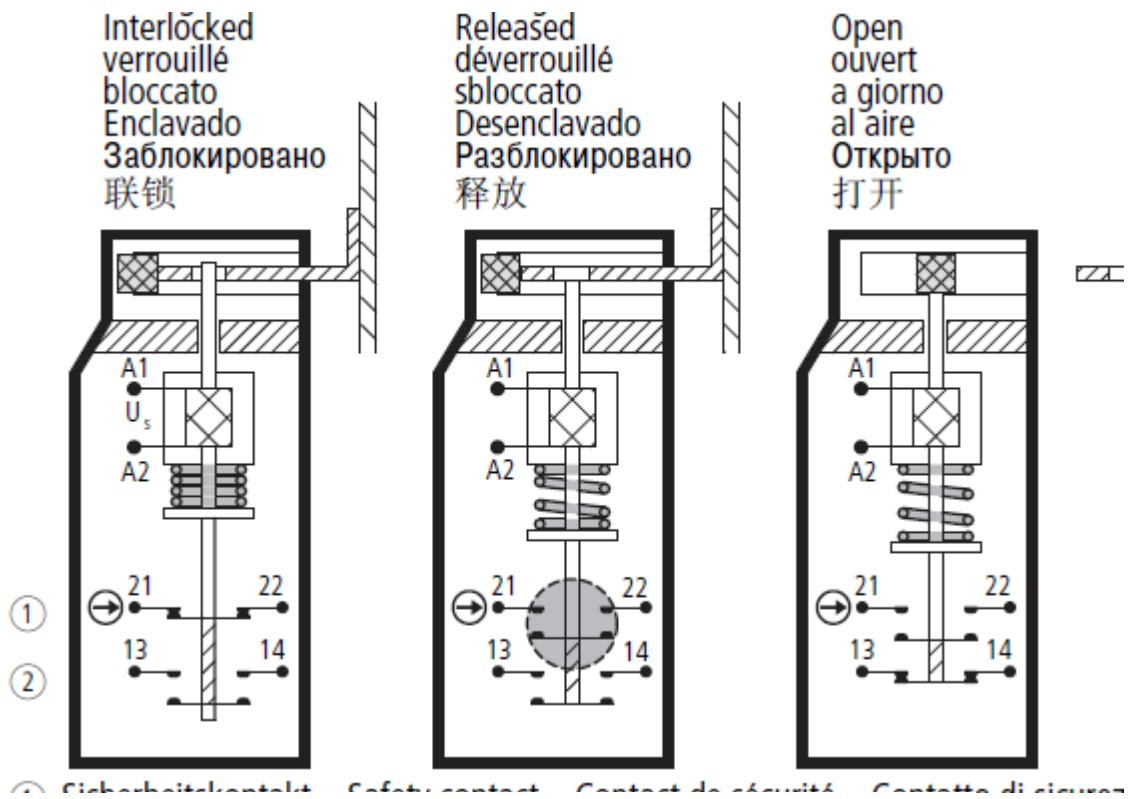
→ signalling contact (13-14) opens

Interlock door

→ Disconnect coil voltage in (A1, A2)
1st actuator interlocked
2nd safety contact (21-22) closes



(941) 473-0073



Door closed and interlocked

→ Apply voltage to coil (A1, A2)
Safety contact (21-22) closed
signalling contact (13-14) open

To unlock door

→ Coil de-energised in (A1, A2)
e.g. via zero-speed monitor
safety contact (21-22) opens

Door open

→ only possible once it is released
signalling contact (13-14) closes

Door open

→ Safety contact (21-22) open
Signalling contact (13-14) closed

Close door

→ signalling contact (13-14) opens

Interlock door

→ Apply voltage to coil (A1, A2)
1st actuator interlocked
2nd safety contact (21-22) closes



(941) 473-0073