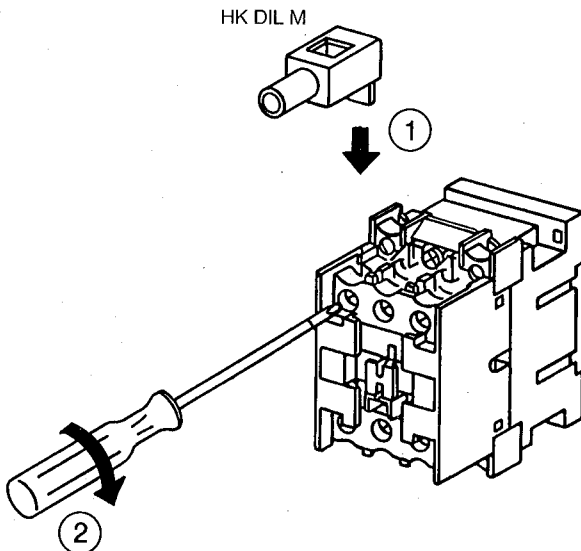




HK DIL M

DIL 1(A) M (-G)
DIL 2(A) M (-G)

12/87 AWA 21-787



HK DIL M

	1 Leiter conductor single conducteur unique max. mm ²	2 Leiter conductor double conducteur double max. mm ²
● eindrätig single-wire rigide	16	16
● feindrätig mit Aderendhülse nach DIN 46228 fine-strand with end sleeve for strand acc. to DIN 46228 souple avec embout selon DIN 46228	35	10
● mehrdrätig multiwire semi-rigide	50	16
● Band flat cable feuillard	3×9×0,8	2×(3×9×0,8)

DIL 1(A) M (-G): max. 3 x 9 x 0,8

DIL 2(A) M (-G): max. 2 x (3 x 9 x 0,8)

