

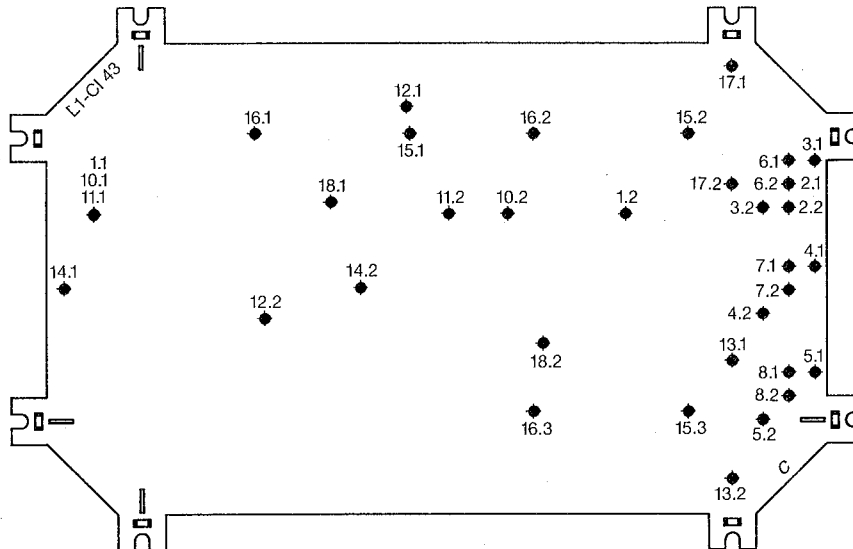


2/89 AWA 461-746

L1-CI 43

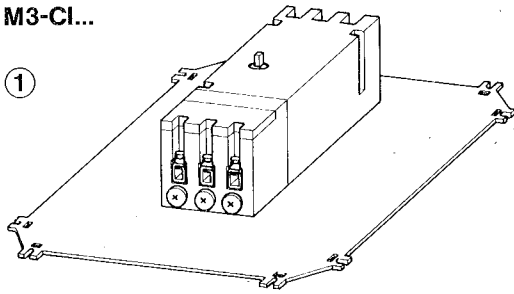
Typ	DIL 2(A)M	SDAINL 1AM	DIUL 1AM	DIUL 2AM	DIL 3-22	DIL 3-22/P1	TC-RMQ	Z4-...	Dd + Kdc + BT 451	3 D + Kdc	K 25/1	K 50/1
	M5 x 16	M 5 x 12			M 5 x 20		M4 x 16	M5 x 20	M 5 x 9		M 5 x 12	
	12	1	11	10	15	16	3, 4, 5	14	2	6, 7, 8	13, 17	13, 17
DIL 2(A)M/I	12											
SDAINL 1AM/I		1					3		2			
DIUL 1AM/I			11				3, 4, 5			6, 7, 8	13	
DIUL 2AM/I				10								
DIL 3-22/Z4/I					15			14			13, 17	
DIL 3-22/G/Z4/I												
DIL 3-22/P1/I						16						13
DIL 2M + P1 DIL 2M/I	18											13, 17

Kernlochdurchmesser für
metrisches Gewinde DIN 13

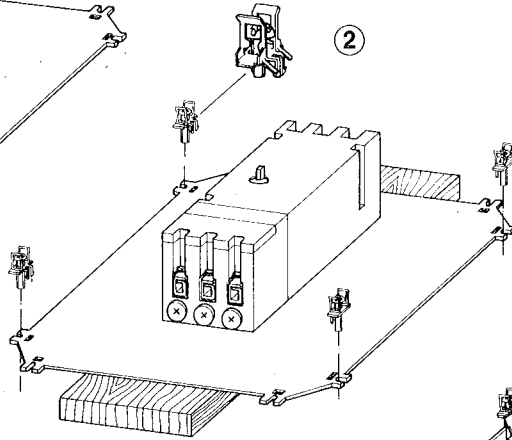


M3-CI...

①



②



③

