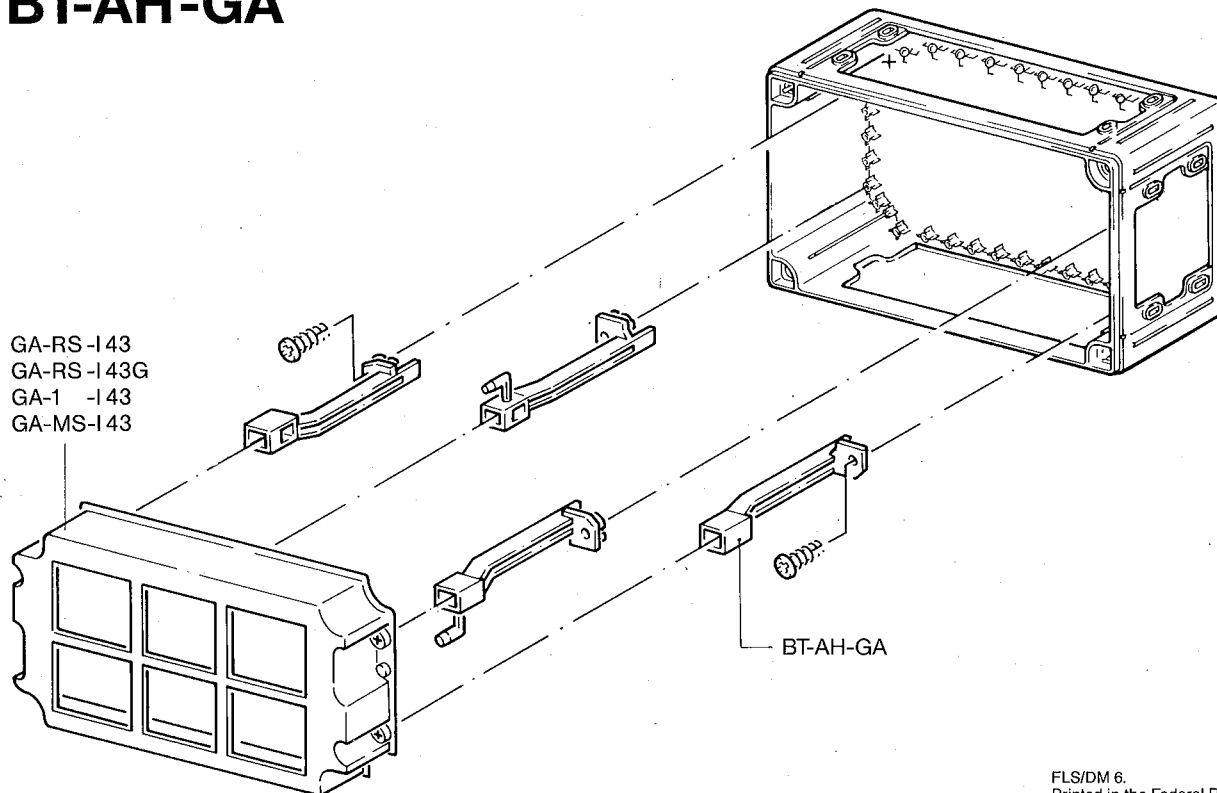
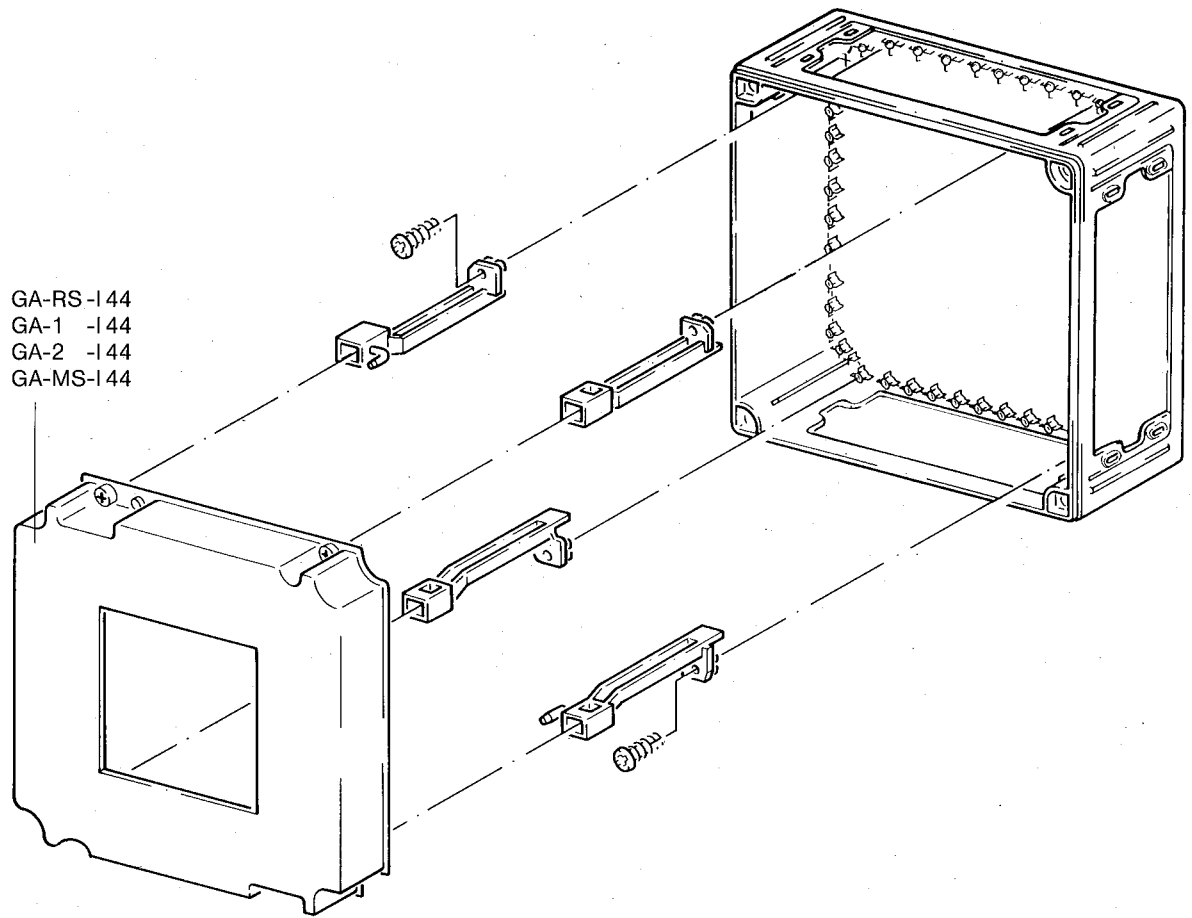




BT-AH-GA

3/88 AWA 45-721





GA-RS-I44
GA-1 -I44
GA-2 -I44
GA-MS-I44