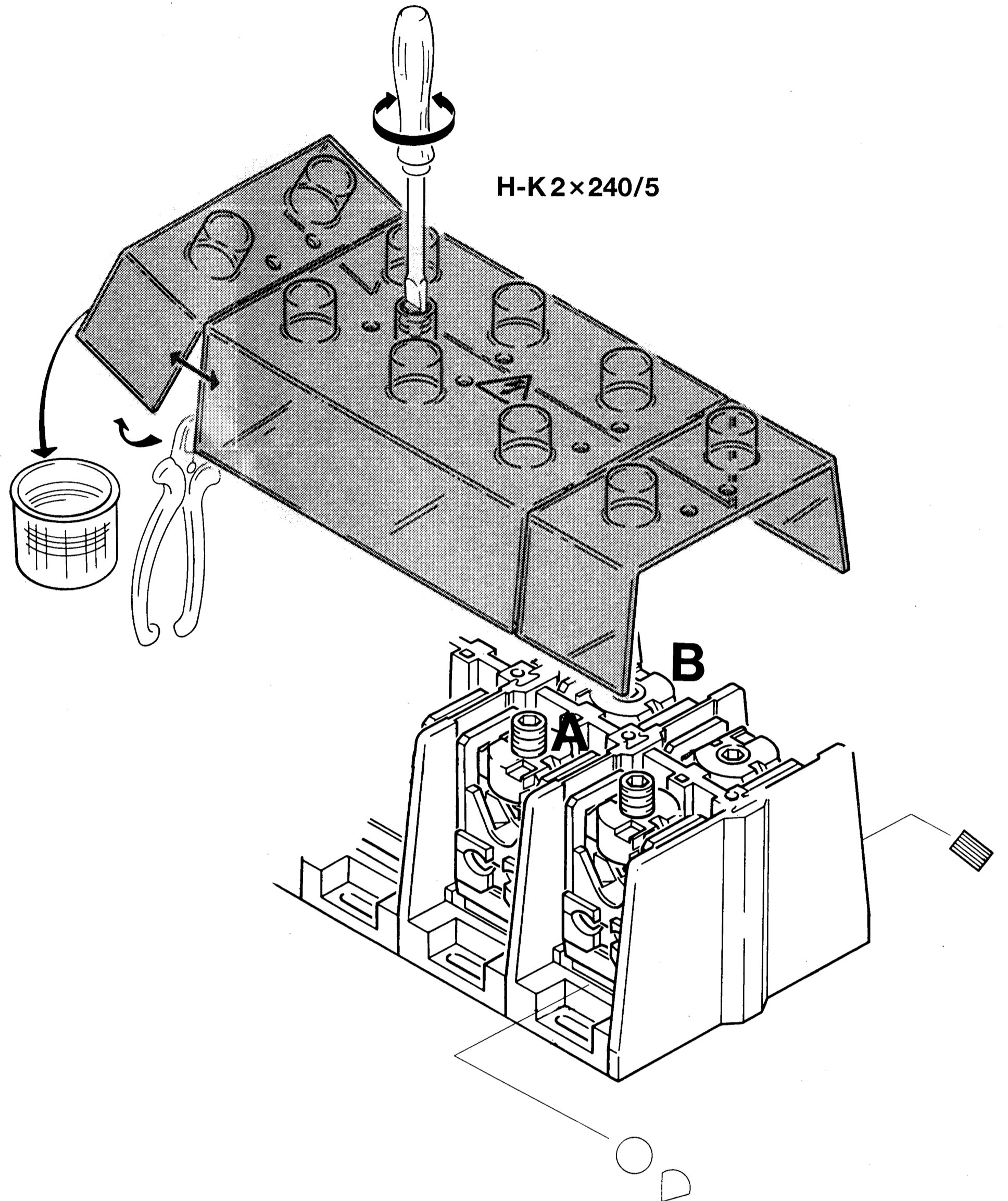
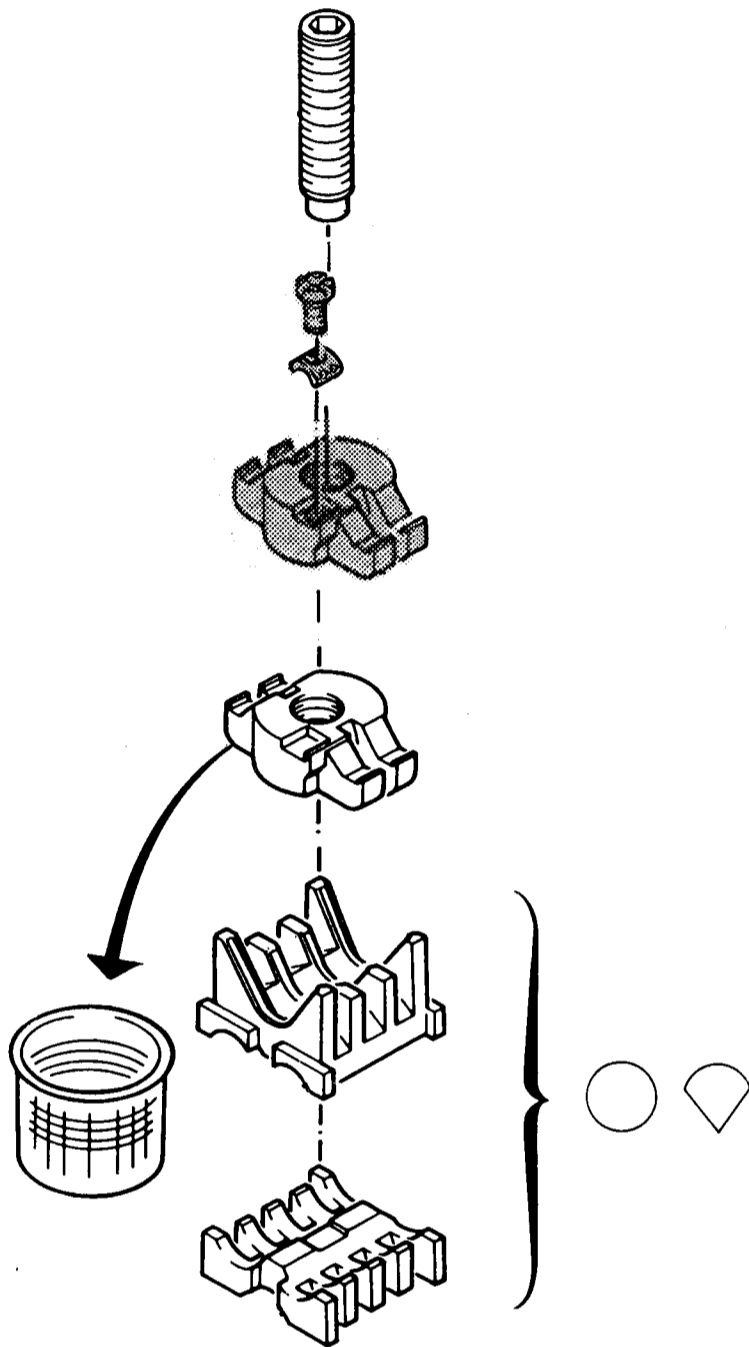


10/92 AWA 34-615

**HK-K 2×240**  
**H -K 2×240/5**  
**D -K 2×240**

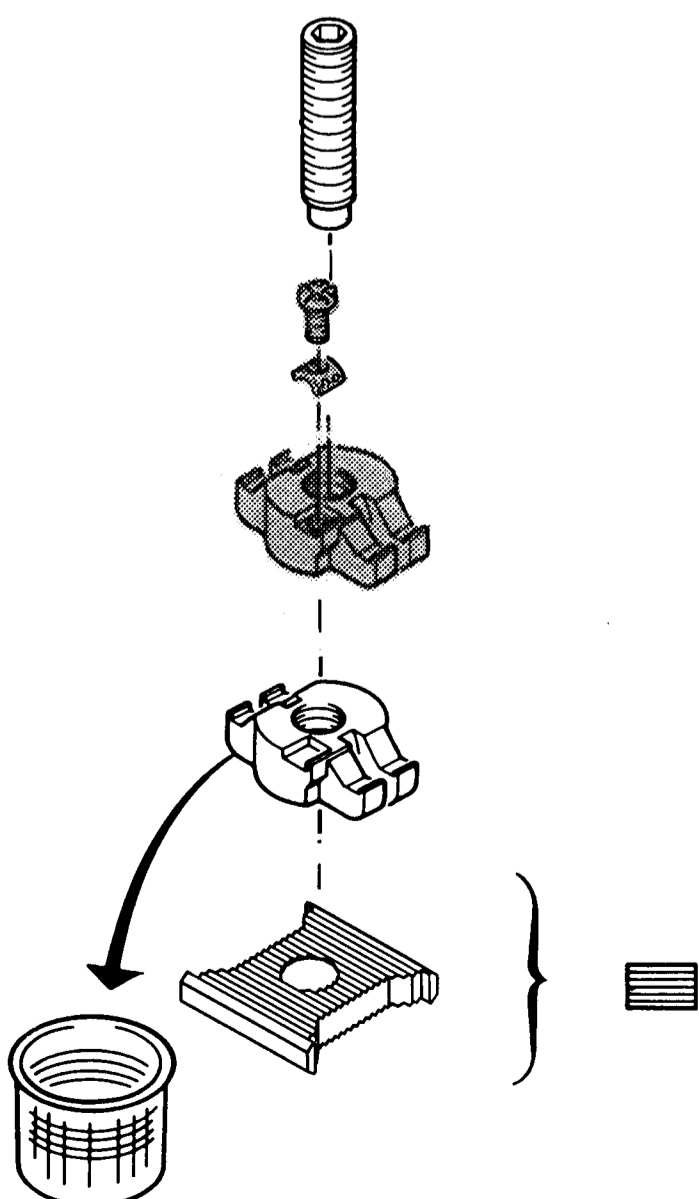
**A**

HK-K 2 × 240



**B**

HK-K 2 × 240



D-K 2 × 240

