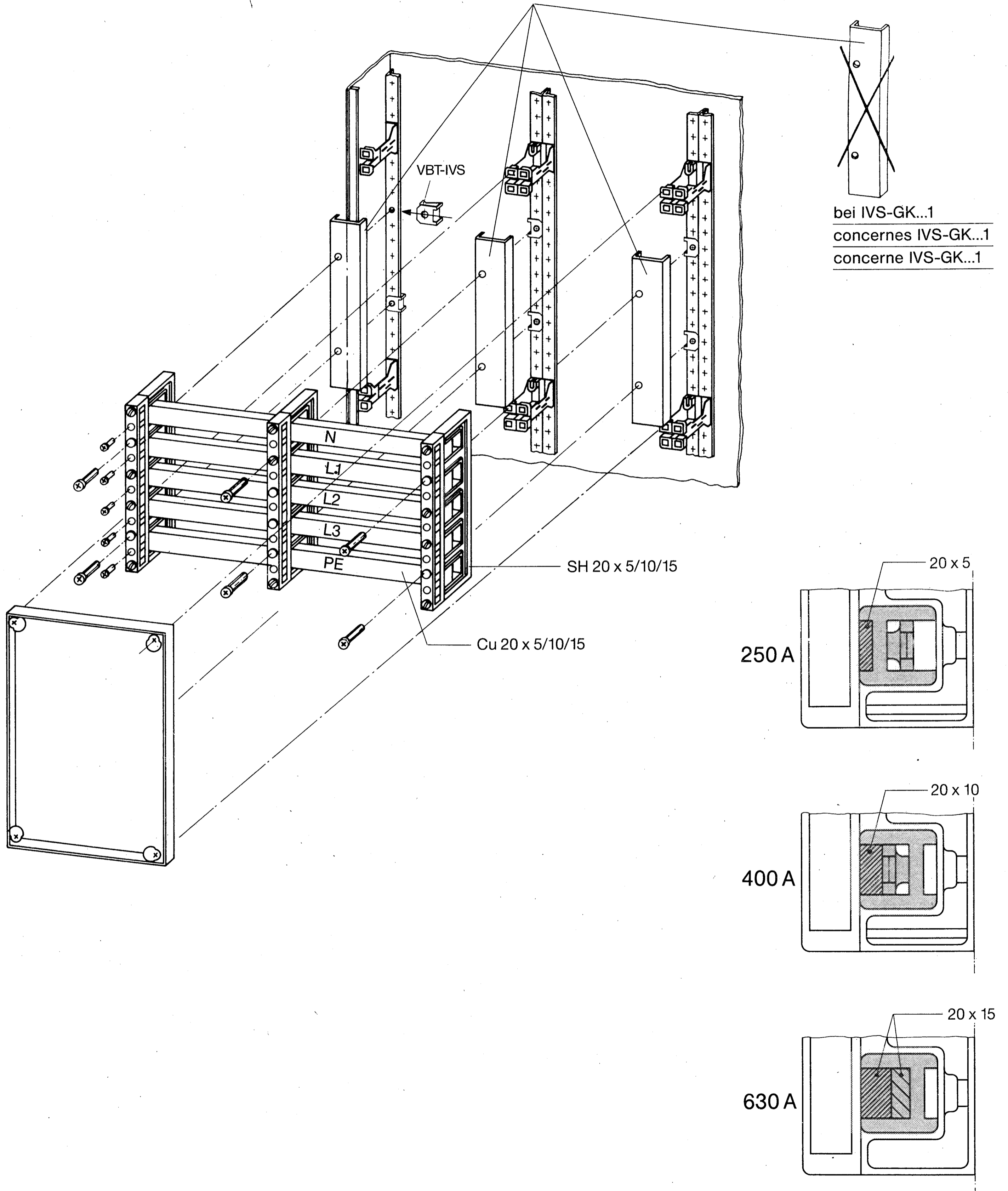




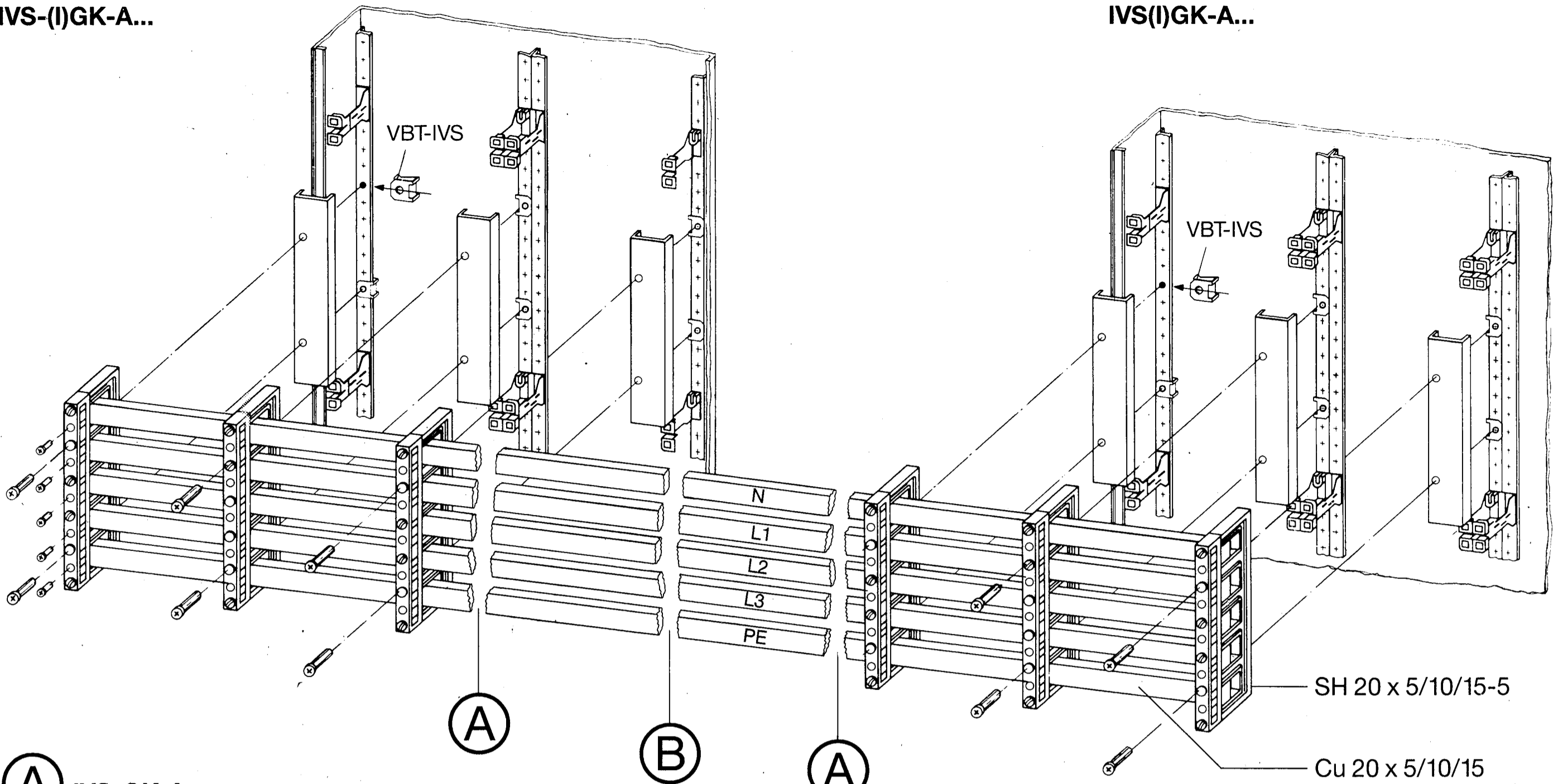
4/87 AWA 464-602

SH 20 x 5/10/15-5 → IVS

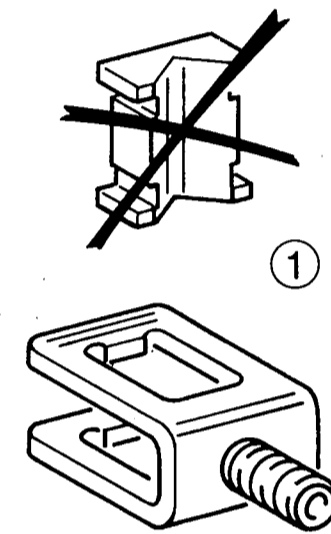
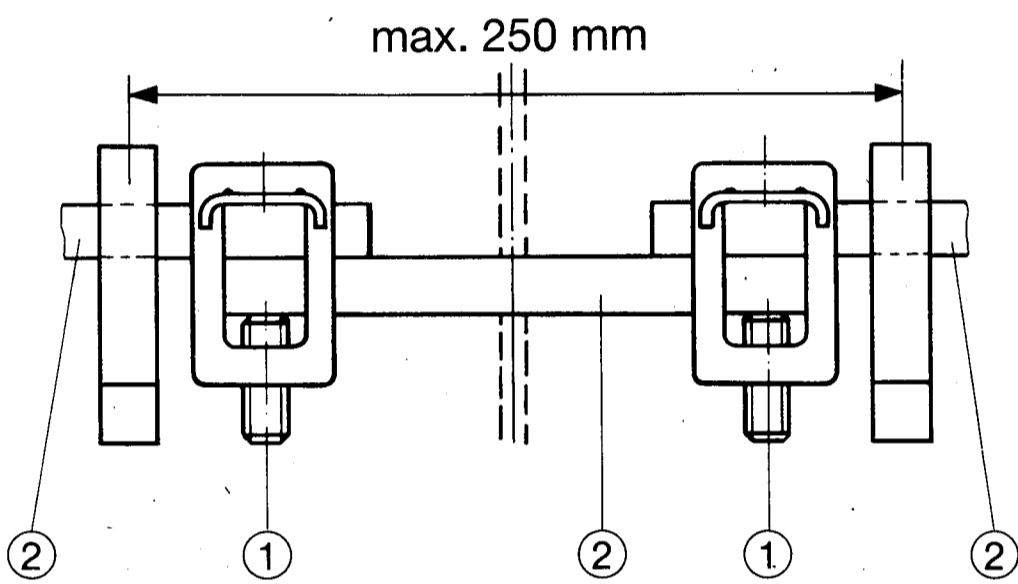


IVS-(I)GK-A...

IVS(I)GK-A...

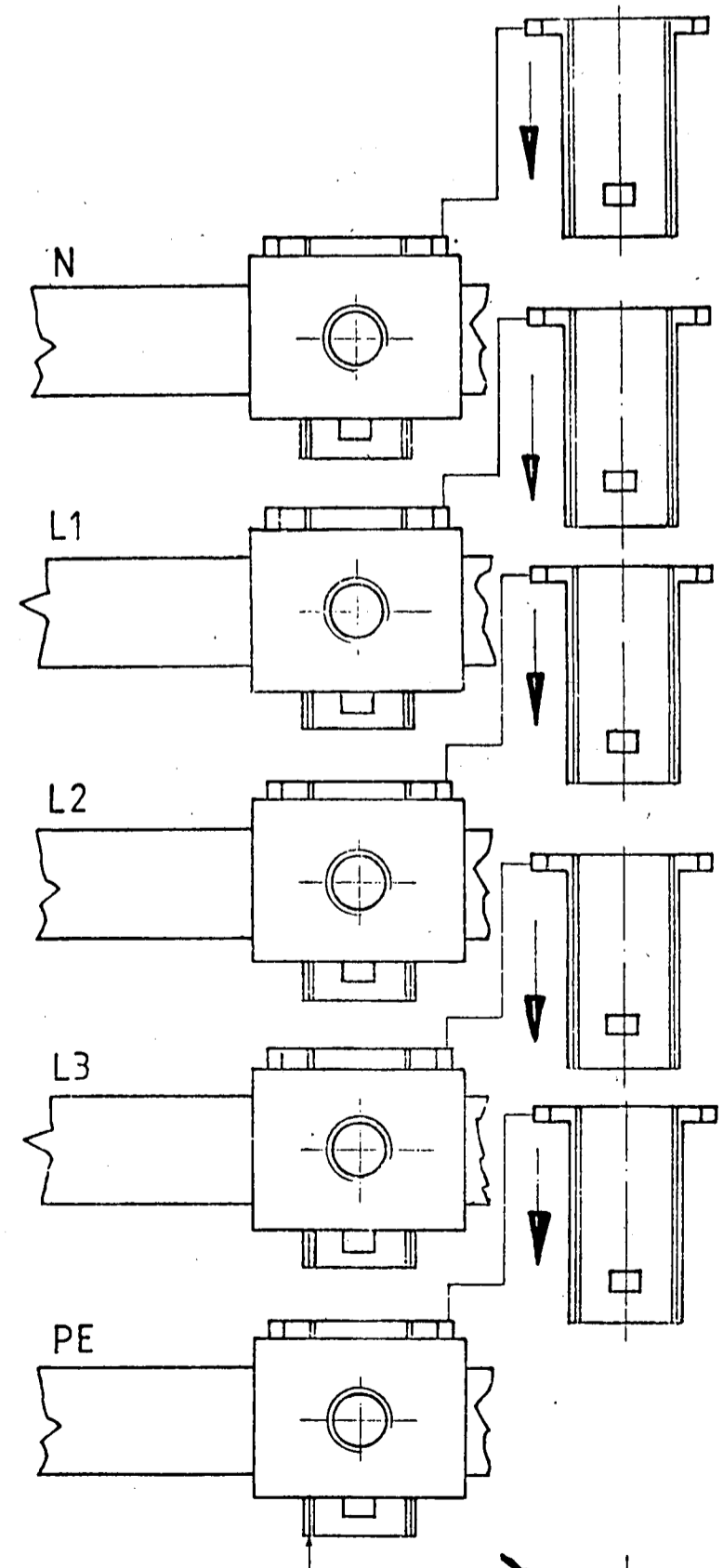
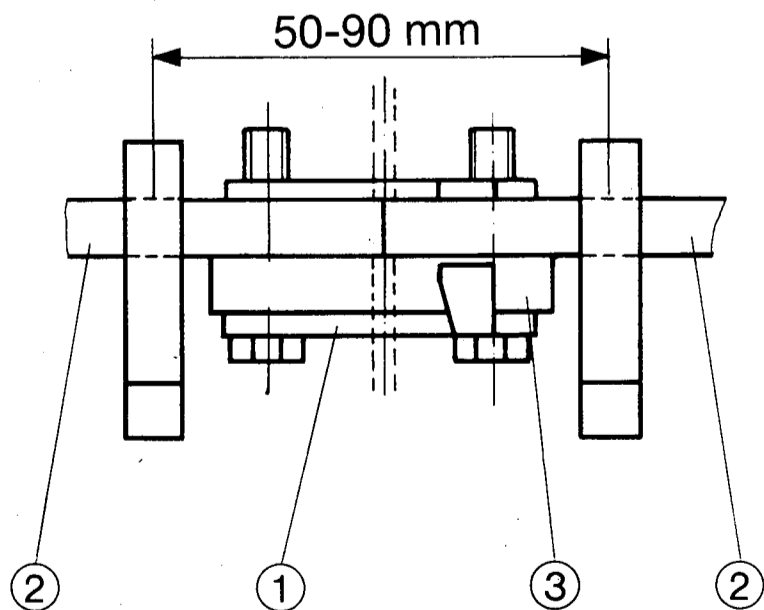


A IVS-GK-A...



Nennstrom Rated current Courant nominal	Schiene ② Rails ② Barres ②	Klemme ① Terminals ① Bornes ①	Anzugsdrehmoment Torque settings Couple de serrage
250 A	20x5	K 20x5	40 Nm
400 A	20x10	K 20x10	40 Nm
630 A	20x15	K 20x10	40 Nm

B IVS-GK-A...



Nennstrom Rated current Courant nominal	Schiene ②+③ Rails ②+③ Barres ②+③		Klemme ① Terminals ① Bornes ①	Anzugsdrehmoment Torque settings Couple de serrage
	②	③		max.
250 A	20x5	20x5	K 20x15/40	7 Nm
400 A	20x10	20x10	K 20x15/40	7 Nm
630 A	20x15	20x10	K 20x15/40	7 Nm