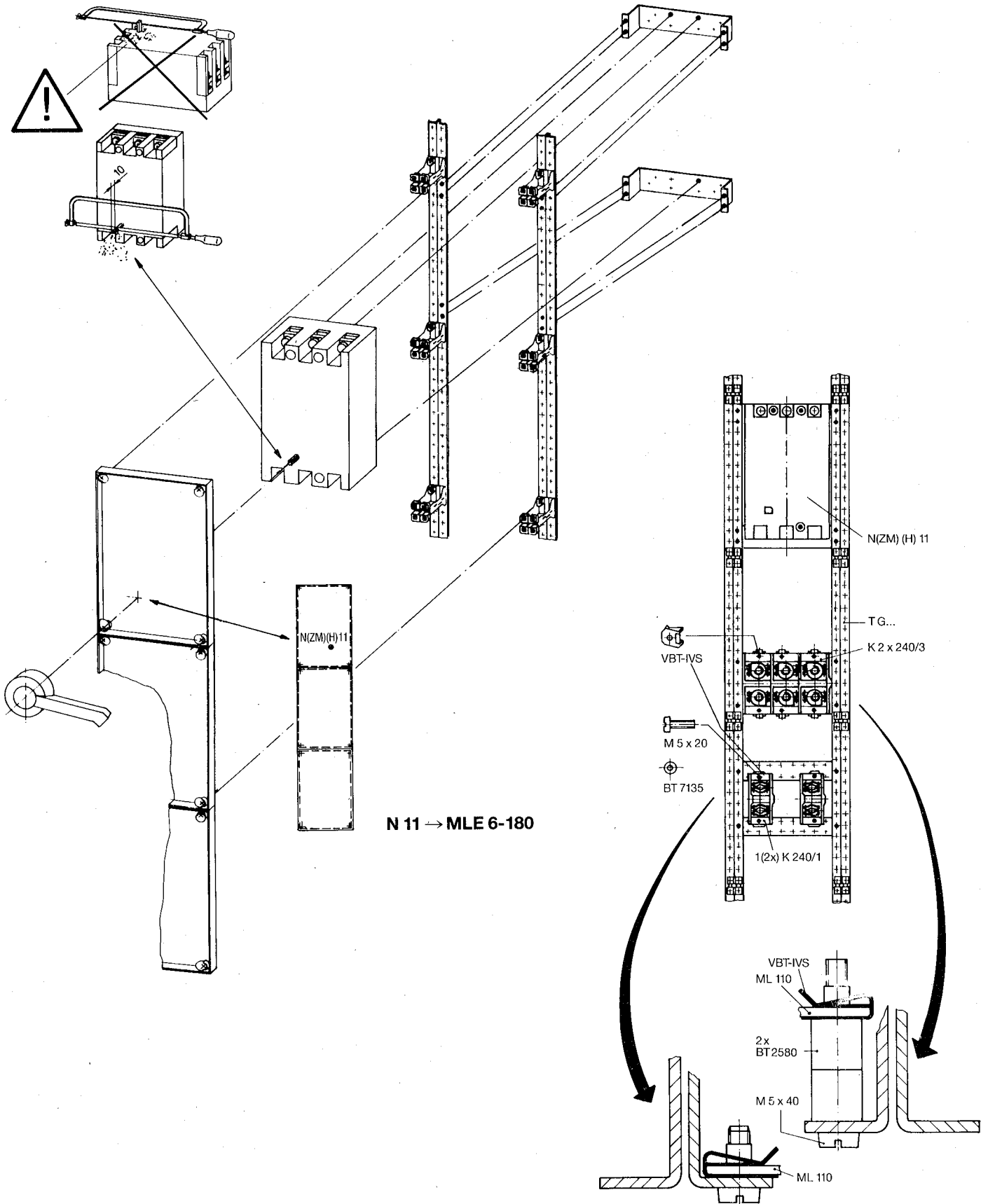
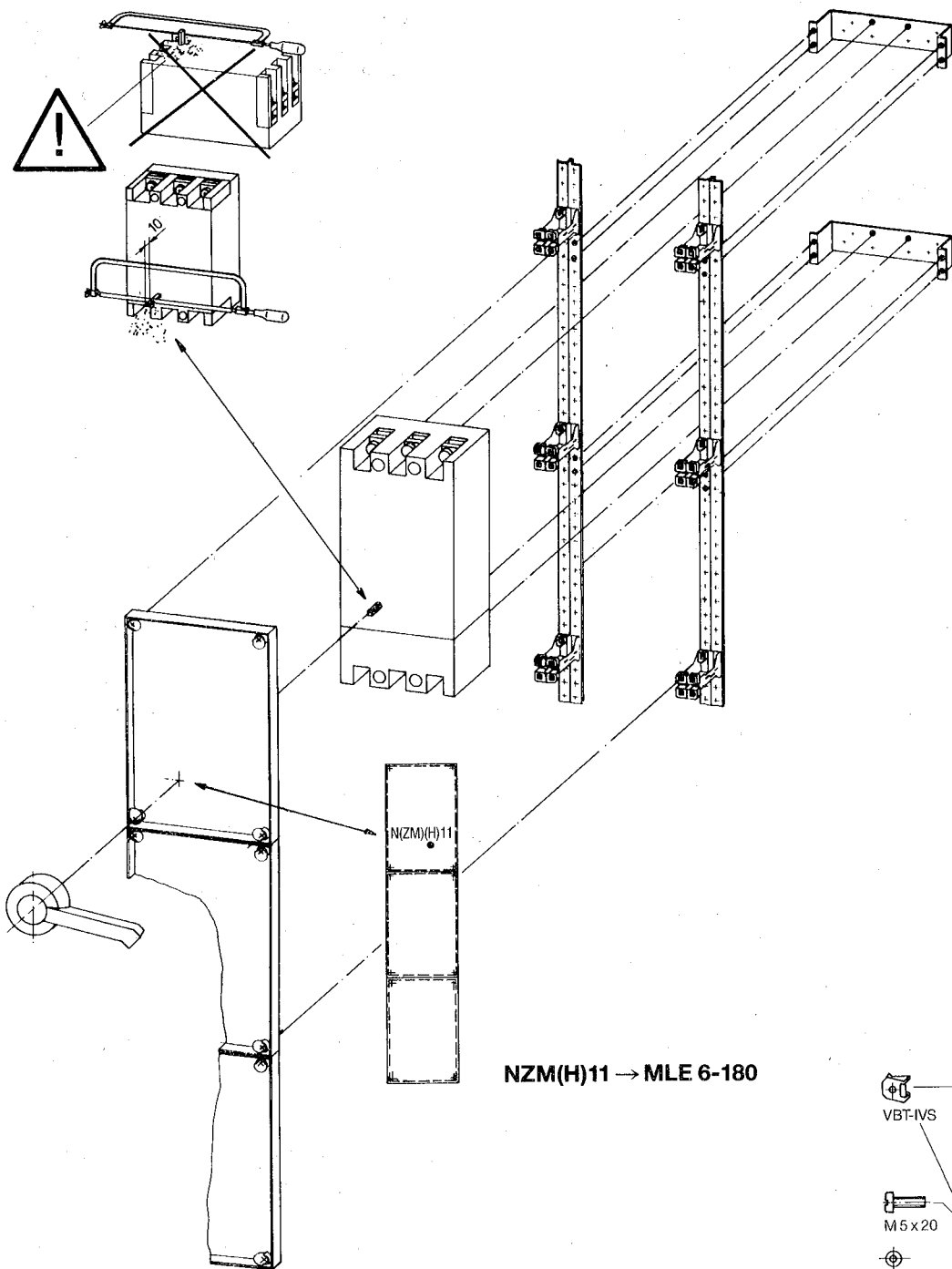


MLE 6-180 → IVS-(I)GK

11/86 AWA 464-596





NZM(H)11 → MLE 6-180

