



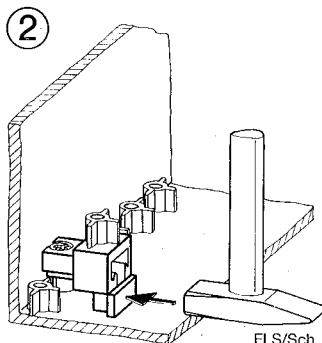
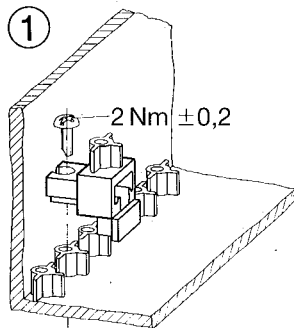
## HS 25-CI HS 50-CI

6/91 AWA 32-573

Hochsetzen der Montageplatte

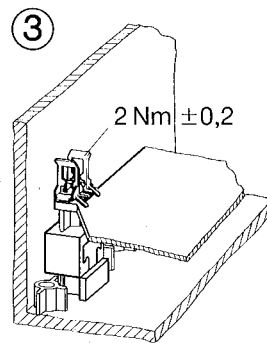
Raising the mounting plate

Rehaussement de la platine de montage



FLS/Sch.

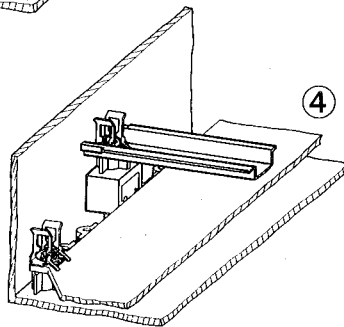
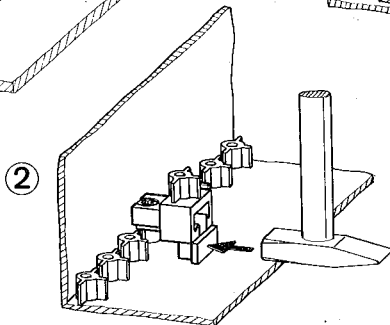
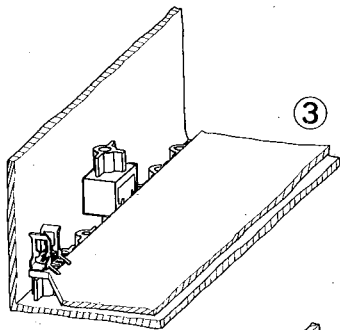
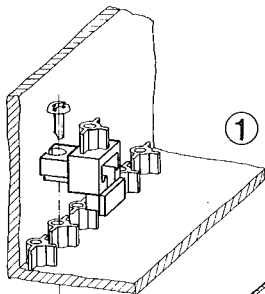
Produced in the Federal Republic of Germany (1991)



Überbauen der Montageplatte

Fitting components  
above the mounting plate

Montage en deux plans (platine et rail)



For Kloekner Moeller Sales and Support call [KMparts.com](http://KMparts.com) (866) 595-9616