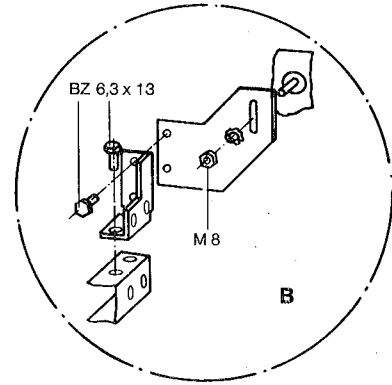
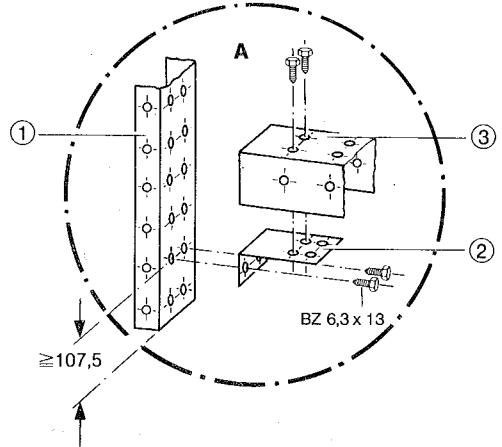
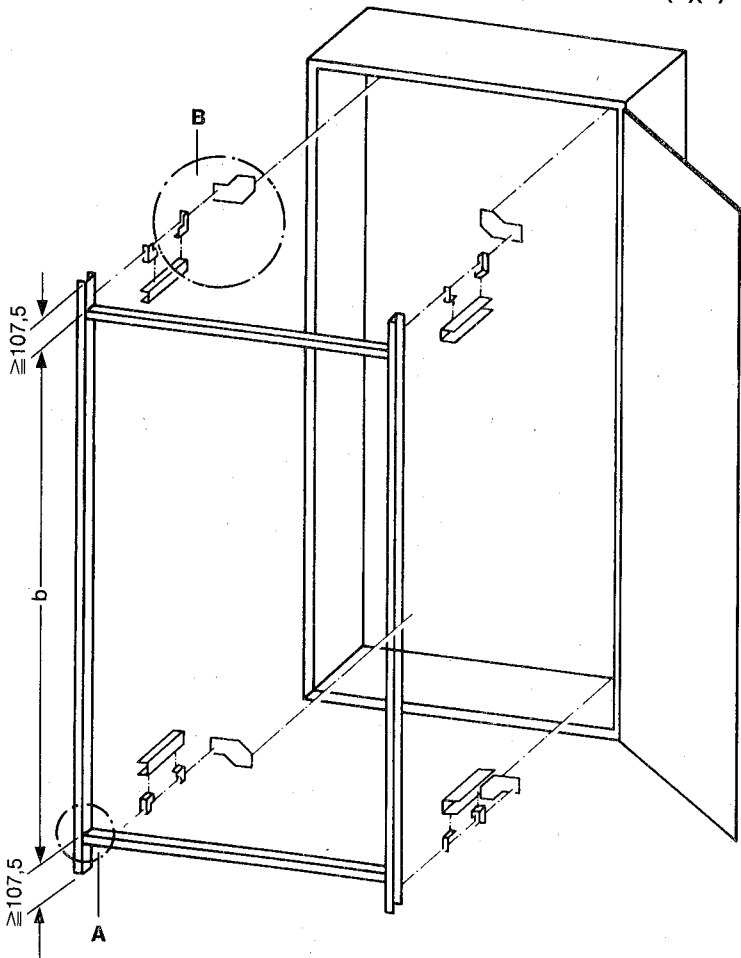
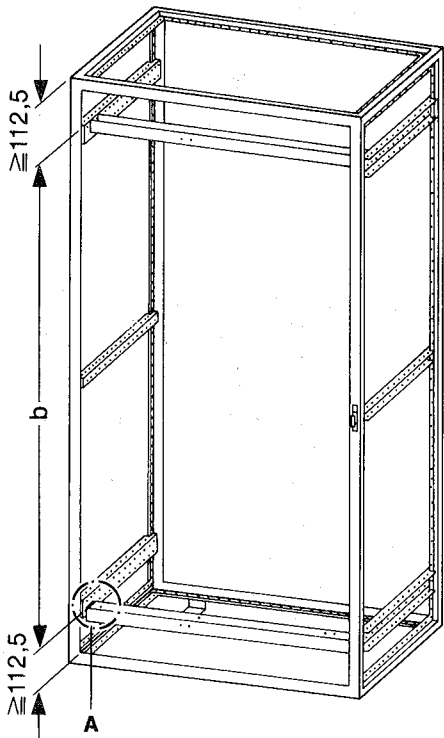


SE(B)(K) → GK

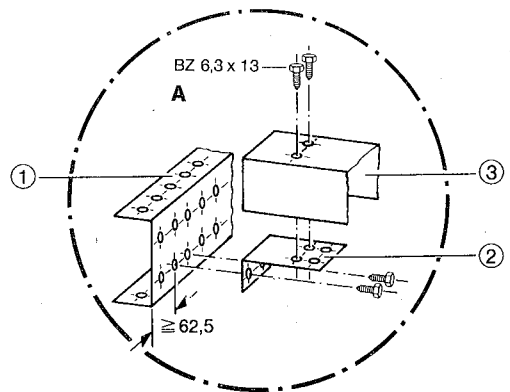
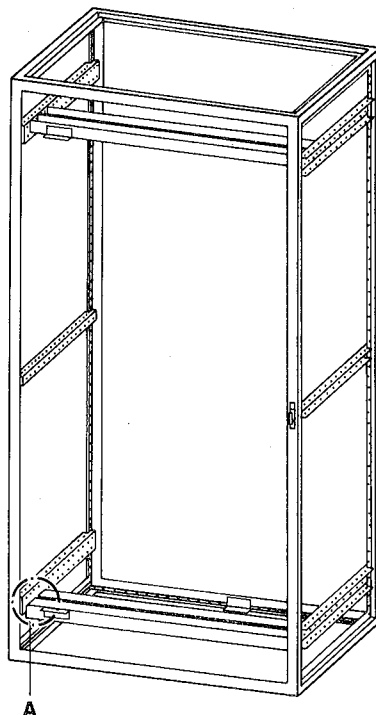


SE(B)... → GG-A...



SE(B)...(-180°) → GG

SE(B)...-180° → GG-A...

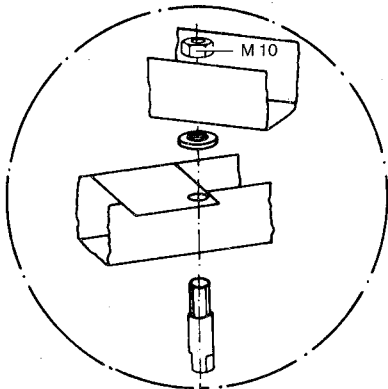
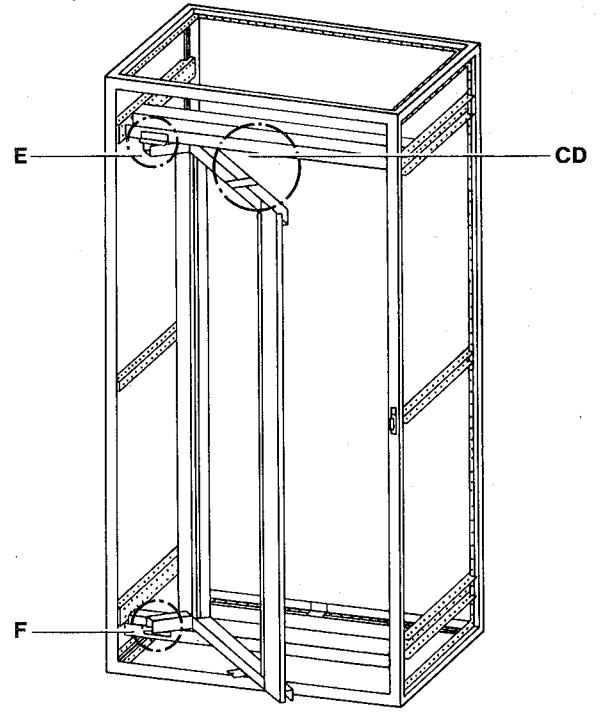
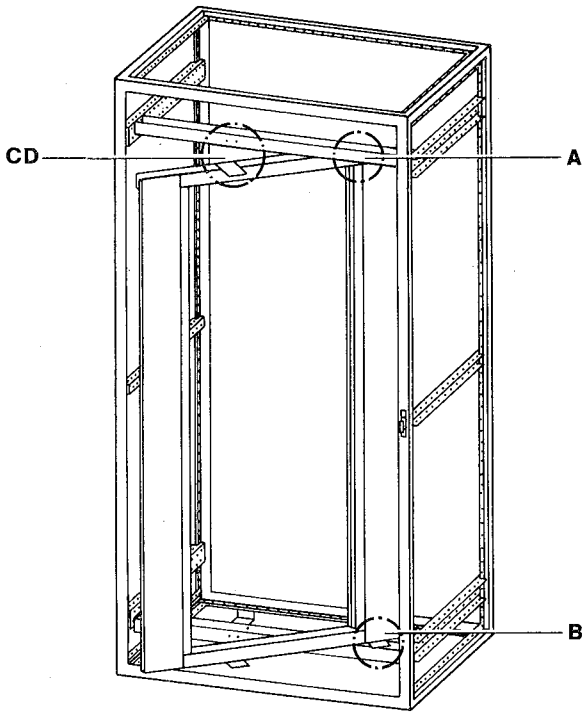


SR...	5	10	19	28	32	37	41
SRB...							
b	375	575	975	1375	1575	1775	1975

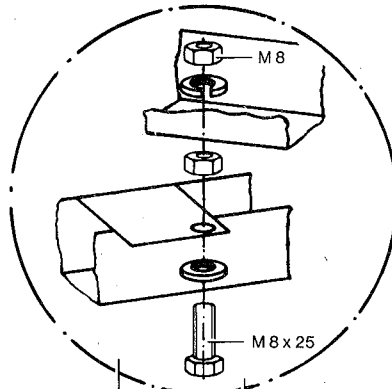
SR(B)(K), SE(B)(K)
 SR(B)...-180°, SE(B)

SR(B)(K), SE(B)(K)

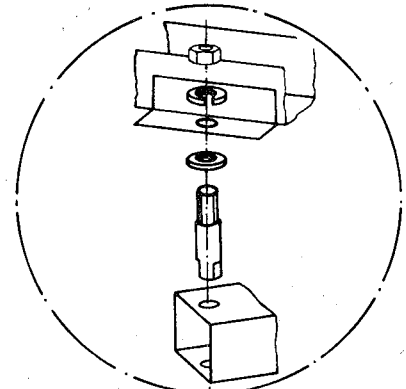
SR(B)...-180°, SE(B)...



A

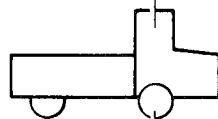


C



E

B



D SR(B)5, 10, 19 (-180°)

F

