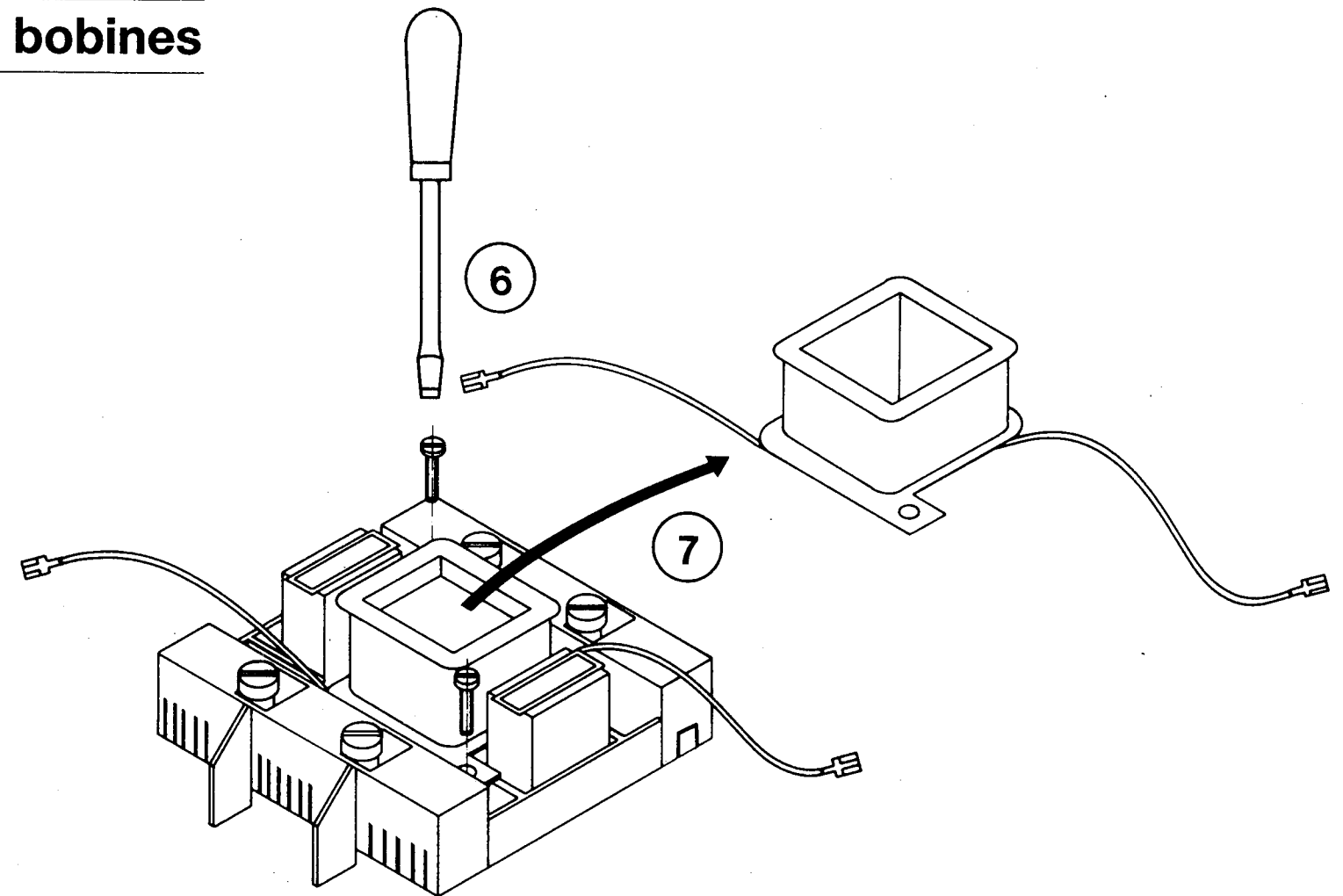
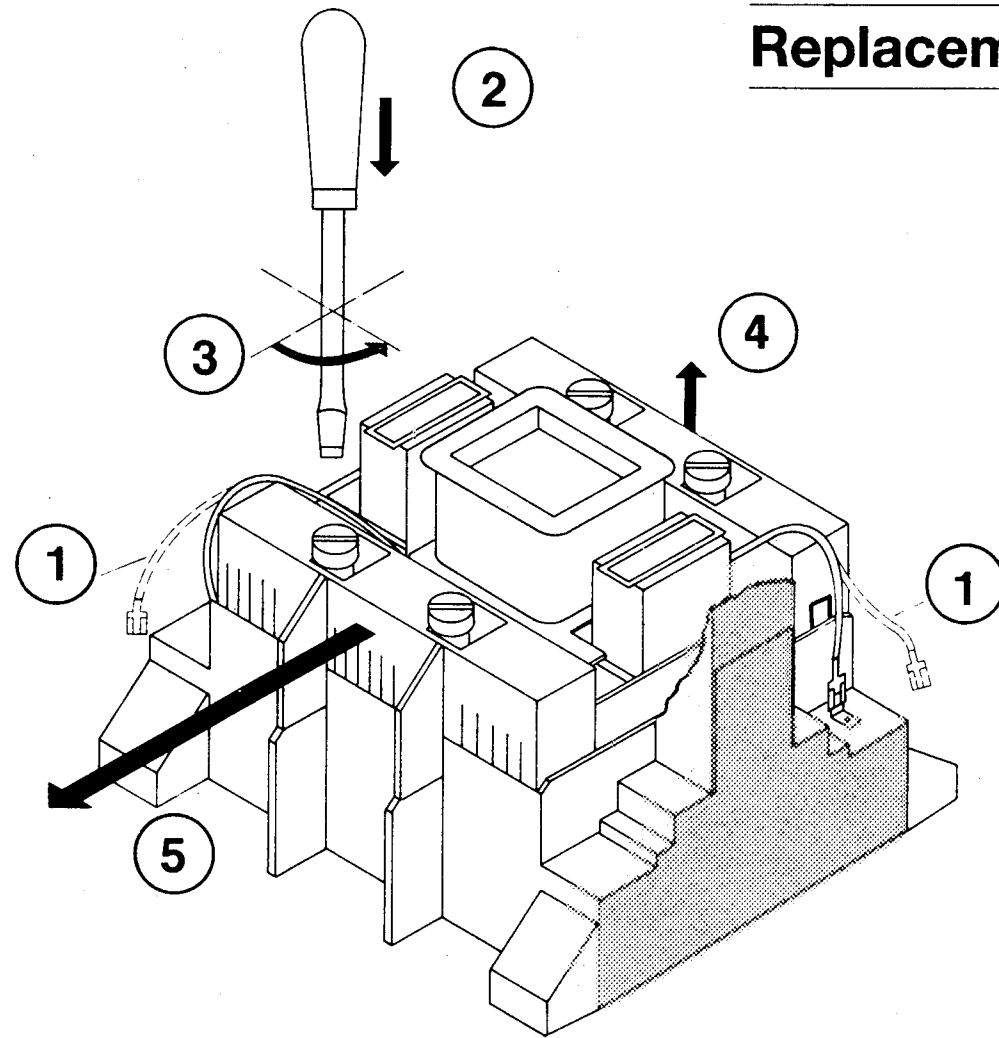




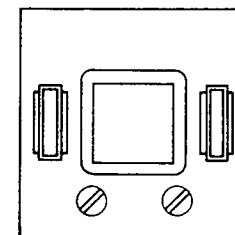
J-DIL 0(a)...8(a)

Auswechseln von Spulen
Replacement of coils
Remplacement des bobines

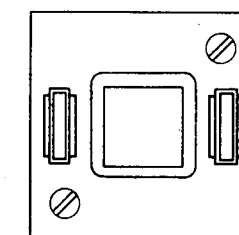
6/87 AWA 332-518



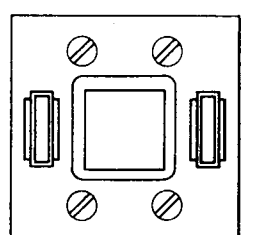
DIL 0-...



DIL 1-...



DIL 2-...
DIL 8a-...



G-DIL...V

- G-DIL 3 \geq 60 V
- G-DIL 4 \geq 110 V
- G-DIL 6 \geq 110 V
- G-DIL 8(a) \geq 110 V

