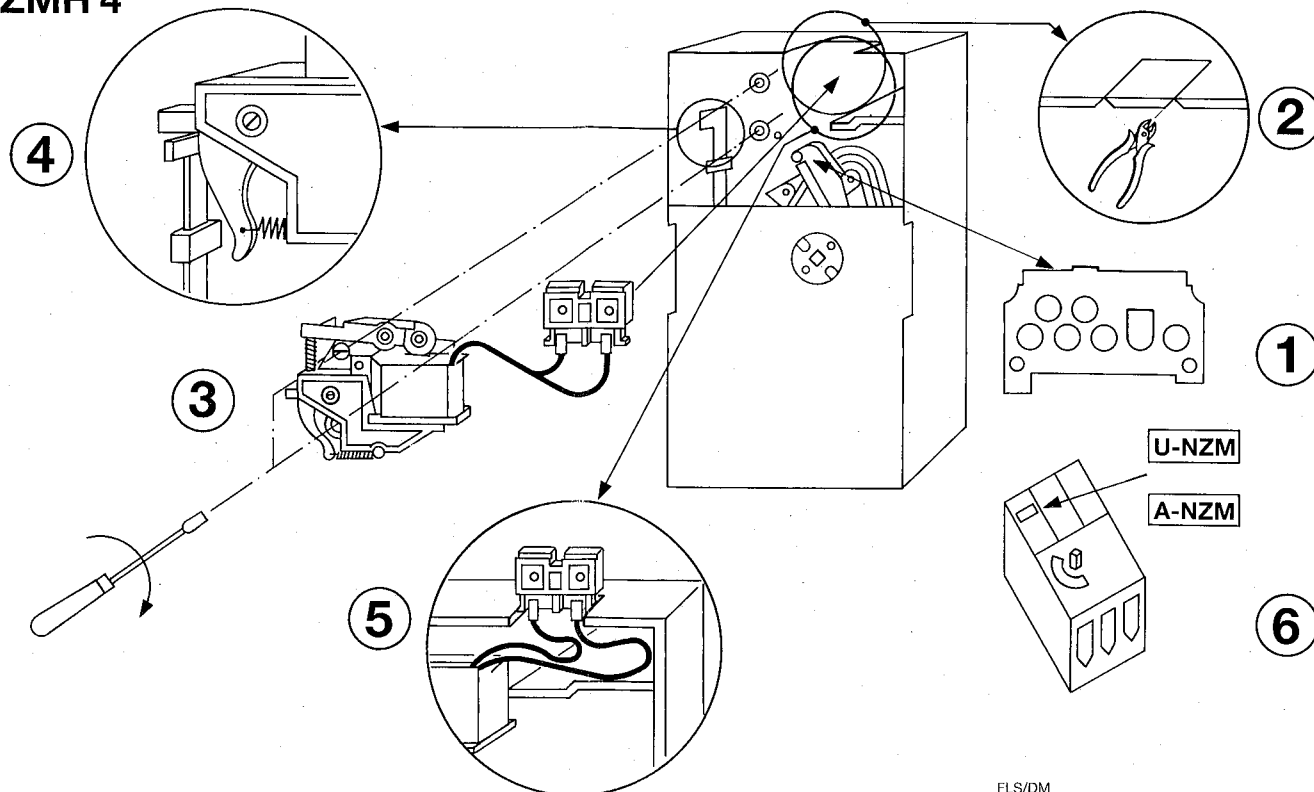




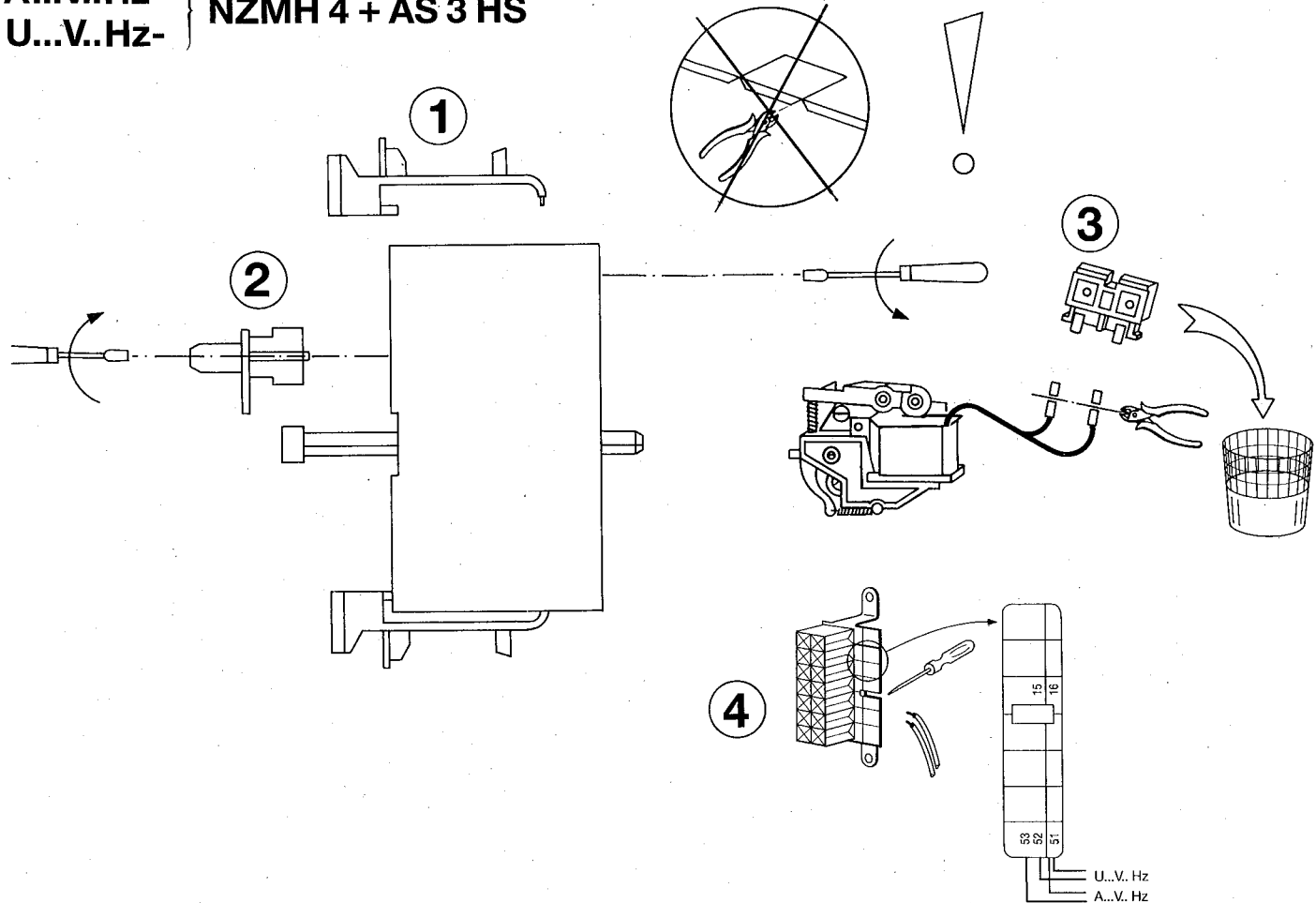
A-NZMH 4
U-NZMH 4

AWA 123-490 (12/85)

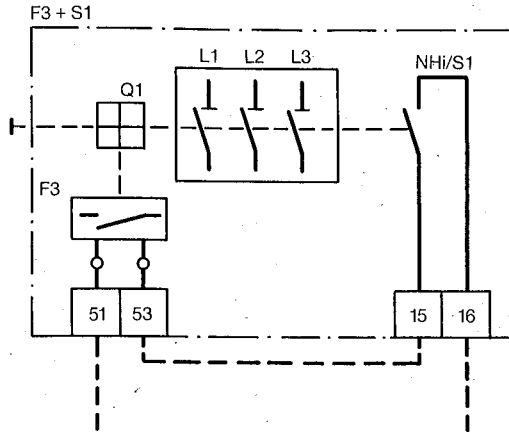


A...V..Hz-
U...V..Hz-

NZMH 4 + AS 3 HS



A...V. Hz
KB = 5% ED



U...V. Hz

