

Notice de Montage



KLOCKNER-MOELLER

AWA-NA 124-108 (3/78)

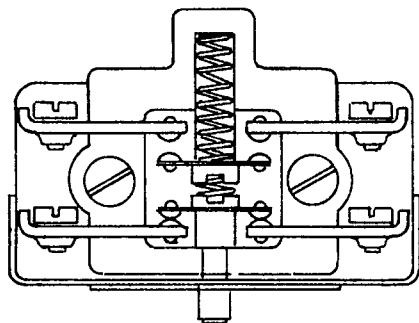
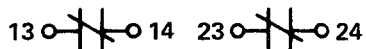
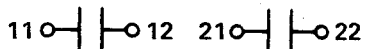


illustration 1.



Contacts Auxiliaires Hi22-P2 (2 NO + 2 NF) Service intensif – 600 Volts

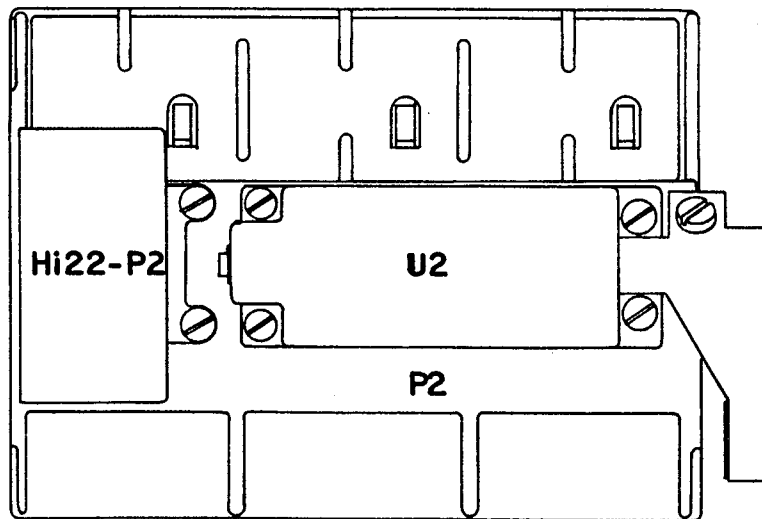


illustration 2.

1. Placer le sectionneur en position "Hors".
2. Monter le bloc Hi 22-P2 sur le sectionneur P2, tel que montré à l'aide des deux vis incluses.

ENGLISH ON REVERSE

For Klockner Moeller Sales and Support call KMparts.com (866) 595-9616

Installation Instructions



KLOCKNER-MOELLER

AWA-NA 124-108 (3/78)

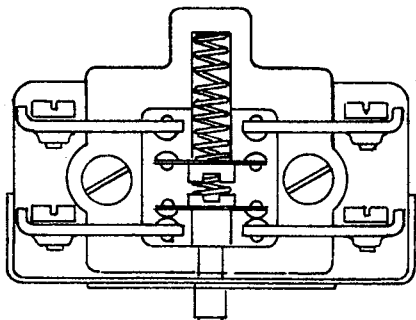
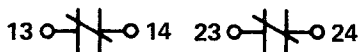
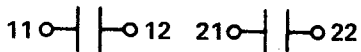


illustration 1.



Auxiliary Contacts Hi22-P2 (2 NO + 2 NC) Heavy Duty Pilot – 600 Volts

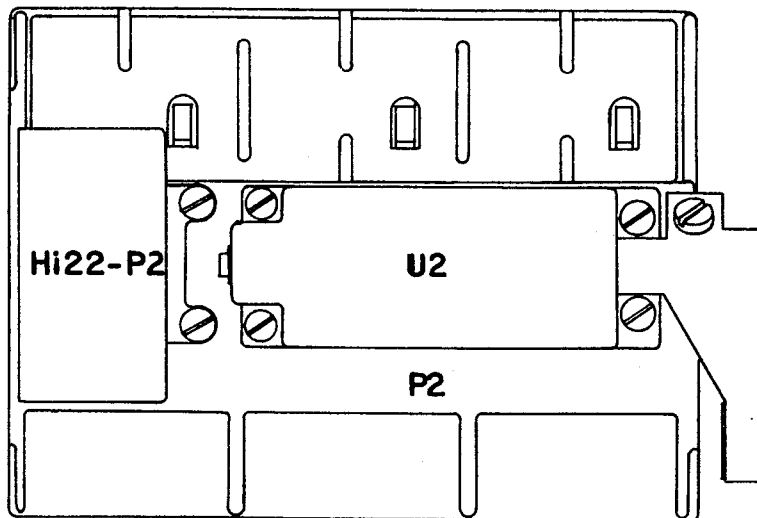


illustration 2.

1. Put P2 - switch in "Off" position.
2. Fasten Hi 22-P2 to the P2 switch as shown, with the 2 screws supplied.

FRANÇAIS AU VERSO

For Klockner Moeller Sales and Support call KMparts.com (866) 595-9616