

Montageanweisung
Installation Instructions
Notice d'installation
Istruzioni per il montaggio

Instrucciones de montaje
Инструкция по монтажу
安裝說明

DIL P 160/22, DIL P 250/22
DIL P 315/22, DIL P 500/22
DIL P 630/22, DIL P 800/22
+
DIL P ... -XHB
DIL P ... -XMV(-S)
DIL P 800-XHI-...



Lebensgefahr durch elektrischen Strom!
Nur Elektrofachkräfte und elektrotechnisch unterwiesene Personen dürfen die im folgenden beschriebenen Arbeiten ausführen.

Electric current! Danger to life!

Only skilled or instructed persons may carry out the following operations.

Tension électrique dangereuse !

Seuls les personnes qualifiées et averties doivent exécuter les travaux ci-après.

Pericolo di morte causa corrente elettrica!

Solo persone istruite e avvertite possono eseguire le operazioni di seguito riportate.

¡Corriente eléctrica! ¡Peligro de muerte!

El trabajo a continuación descrito debe ser realizado por personas cualificadas y advertidas.

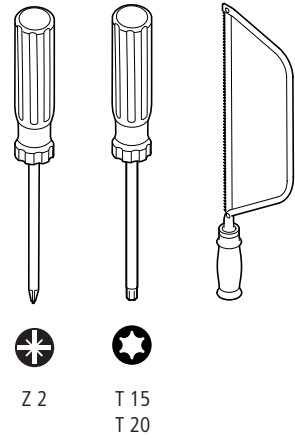
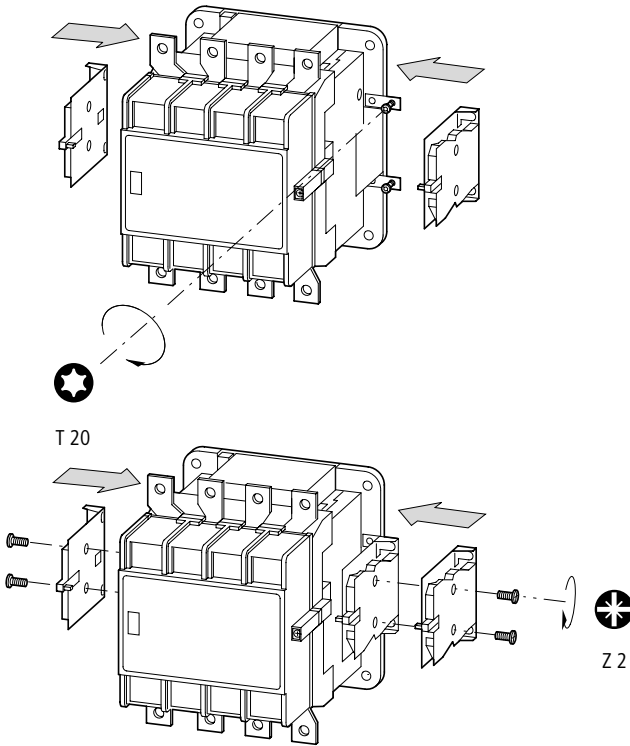
Электрический ток! Опасно для жизни!

Только специалисты или проинструктированные лица могут выполнять следующие операции.

触电危险!

只允许专业人员 and 受过专业训练的人员进行下列工作。

1



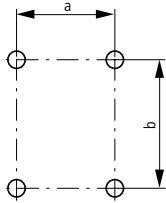
1 + 2 + DIL + 3 + 4

	1	2	3	4
DIL P 160		DIL P 800-XHI-SI	DIL P 800-XHI-SI	
DIL P 250		DIL P 800-XHI-SI	DIL P 800-XHI-SI	
DIL P 315		DIL P 800-XHI-SI	DIL P 800-XHI-SI	
DIL P 500	DIL P 800-XHI-SA	DIL P 800-XHI-SI	DIL P 800-XHI-SI	DIL P 800-XHI-SA
DIL P 630		DIL P 800-XHI-SI	DIL P 800-XHIV-SRI	
DIL P 800		DIL P 800-XHI-SI	DIL P 800-XHIV-SRI	
DIL P 800-XHI-SA		DIL P 800-XHI-SI	DIL P 800-XHIV-SRI	

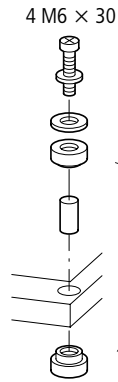
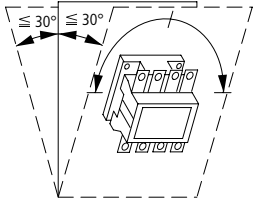
For Immediate Delivery call KMParts.com at (866) 595-9616

2

Einbaulage:
 Mounting position:
 Position de montage
 Posizione di montaggio
 Posición de montaje:
 Положение при монтаже:
 安装位置:



	a	b	
DIL P 160	120	140	4 × M6
DIL P 250	120	140	4 × M6
DIL P 315	160	140	4 × M6
DIL P 500	220	200	4 × M6 × 30
DIL P 630	220	200	4 × M6 × 30
DIL P 800	220	200	4 × M6 × 30

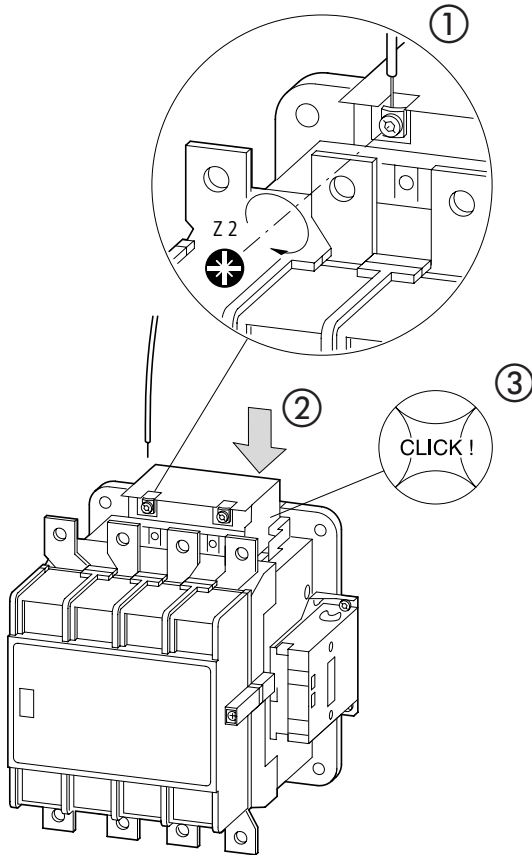
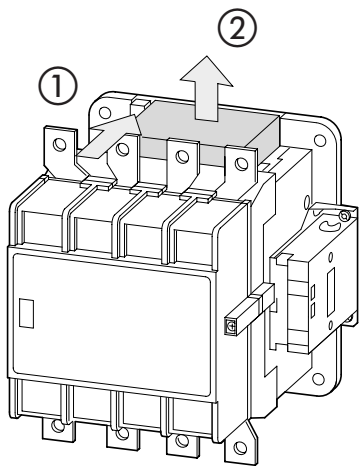


DIL P 500
DIL P 630
DIL P 800

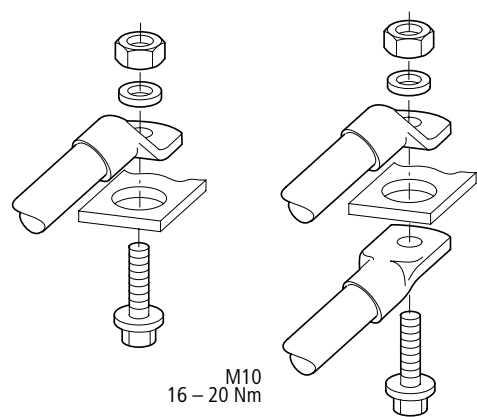
Dämpfungs- Elemente
 Fitting damping elements
 Elements amortisseurs
 Elemento ammortizzatore
 Elementos amortizadores
 Амортизирующие детали
 阻尼元件

3

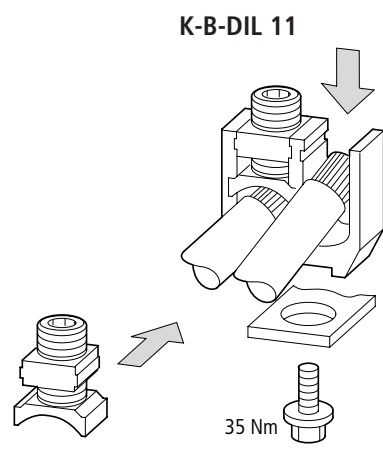
DIL P 160
DIL P 250
DIL P 315



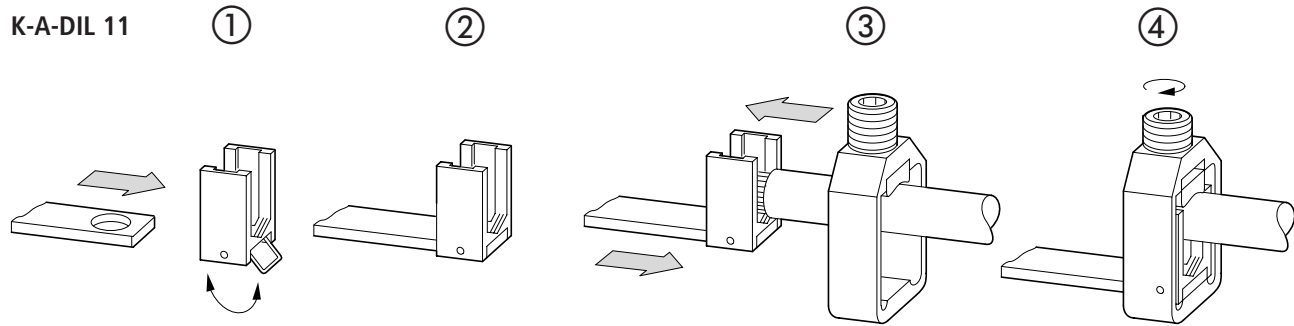
4



	M 10	K-B-DIL 6M KS-B-DIL 6M	K-B-DIL 6AM KS-B-DIL 6AM	K-A-DIL 11 K-B-DIL 11
DIL P 160				
DIL P 250	X	X		
DIL P 315				
DIL P 500				
DIL P 630	X		X	X
DIL P 800				



K-A-DIL 11

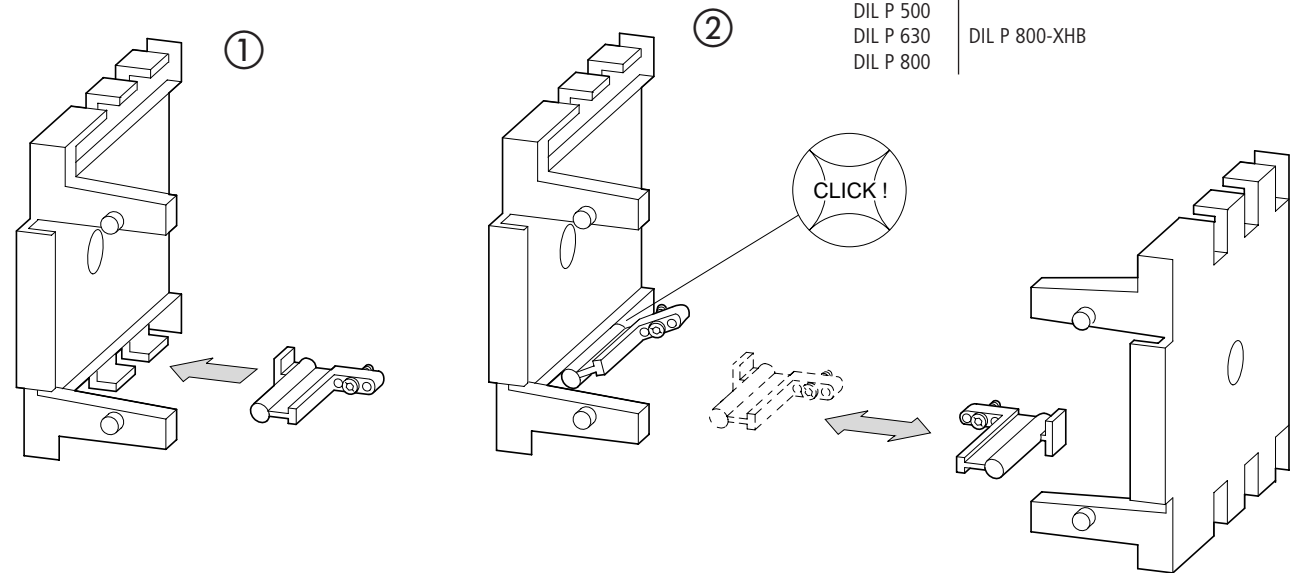


Typ	● mm ²	●● mm ²	Nm
K-A-DIL 11	70 – 120		25
	– 300		45
K-B-DIL 11		35 – 185	20

DILP...-XHB

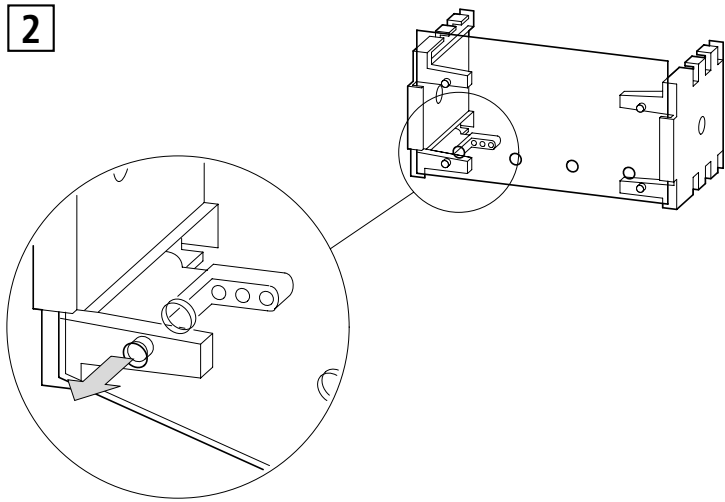
1

DIL P 160	DIL P 250-XHB
DIL P 250	
DIL P 315	DIL P 315-XHB
DIL P 500	
DIL P 630	DIL P 800-XHB
DIL P 800	

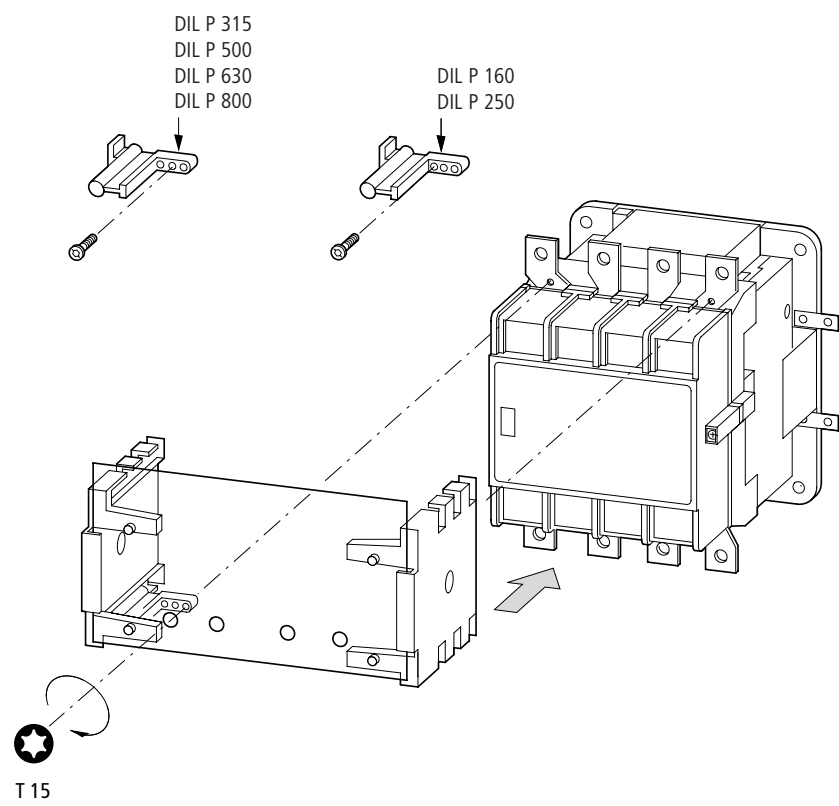


For Immediate Delivery call KMParts.com at (866) 595-9616

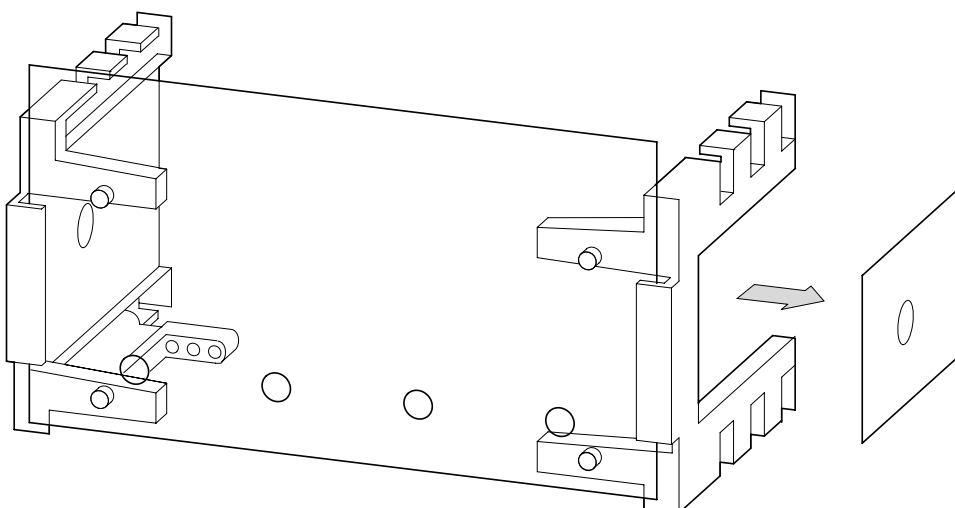
2



3

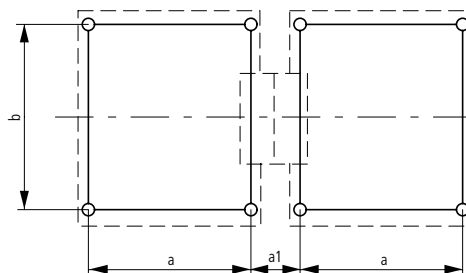
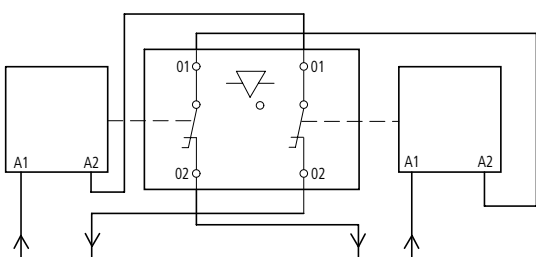
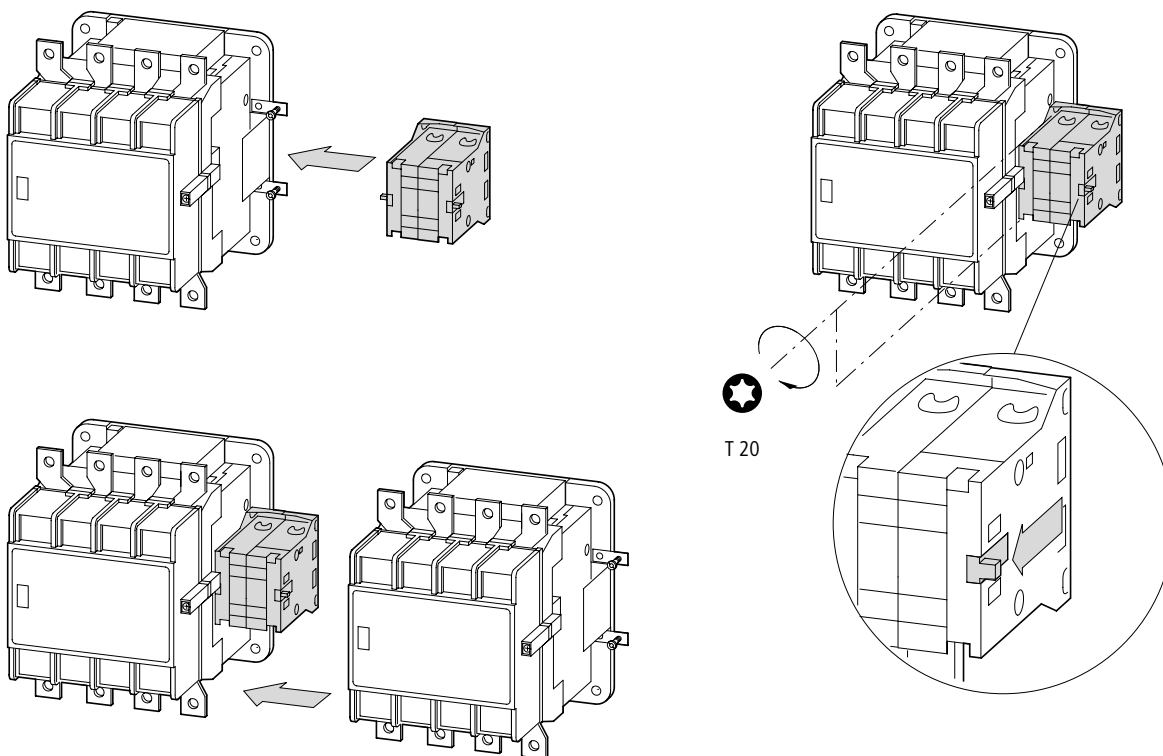


4



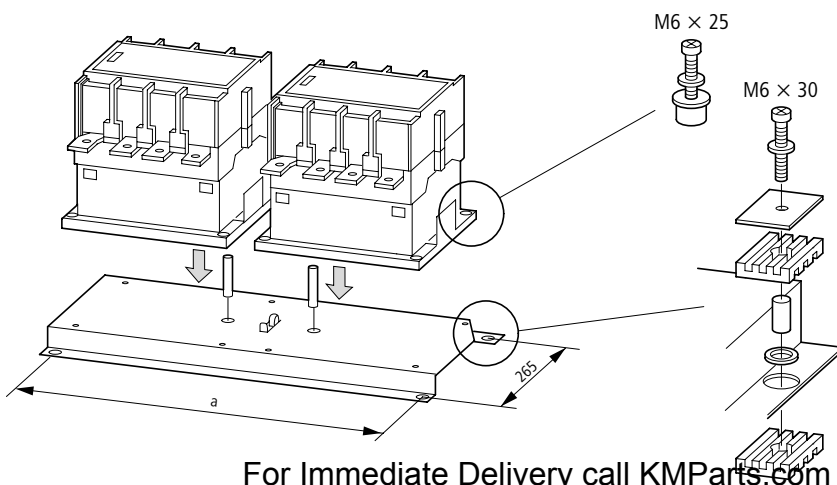
DIL P...-XMV

- 1** DIL P 160
- DIL P 250
- DIL P 315



	a	b	a1	
DIL P 160	120	140	65	DIL P 250-XMV
DIL P 250	120	140	65	DIL P 250-XMV
DIL P 315	160	140	63.5	DIL P 315-XMV

- 2** DIL P 500
- DIL P 630
- DIL P 800

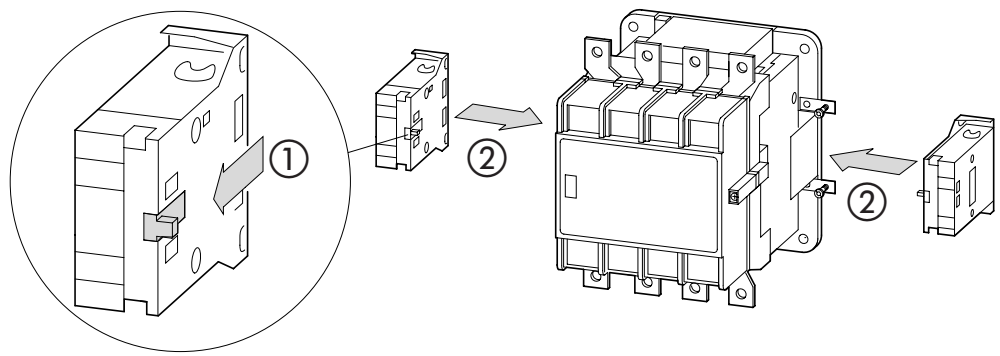


DIL P 500	DIL P 800-XMV
DIL P 630	DIL P 800-XMV
DIL P 800	DIL P 800-XMV

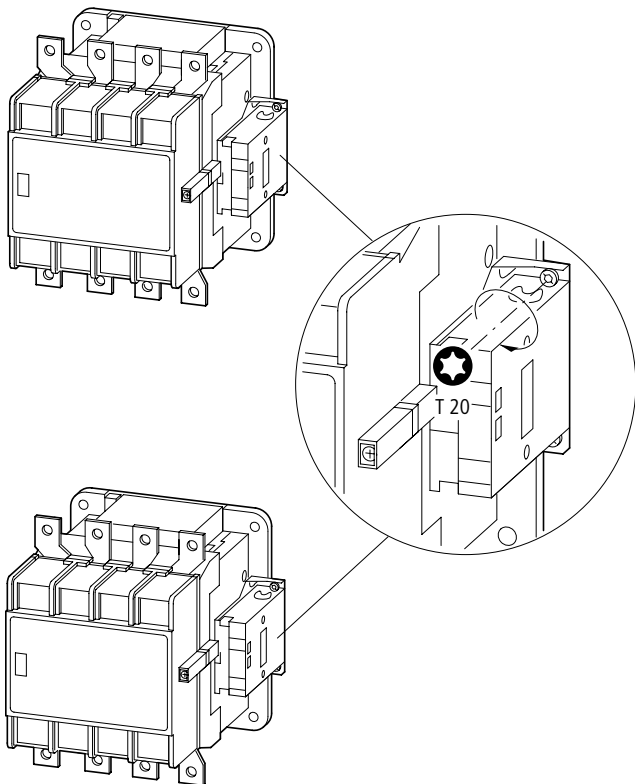
For Immediate Delivery call KMParts.com at (866) 595-9616

1 DIL P...-XMV-S

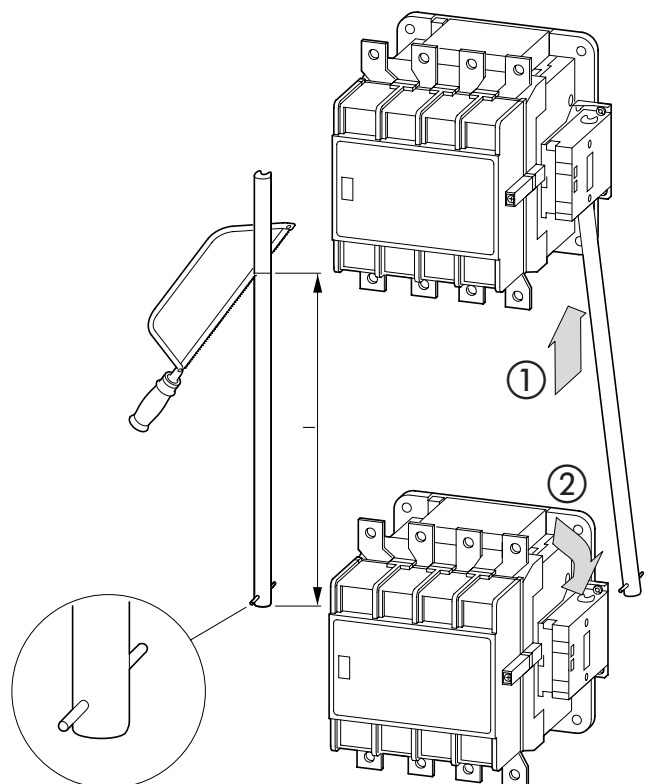
DIL P 160	DIL P 250-XMV-S
DIL P 250	
DIL P 315	DIL P 315-XMV-S



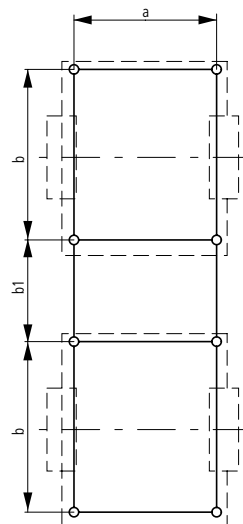
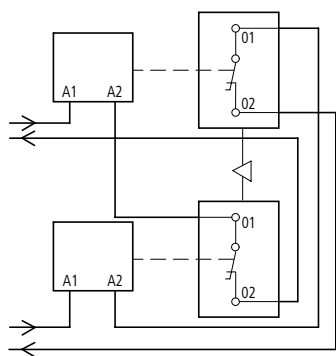
2



3



$l = 125 + b_1$



	a	b	b1
DIL P 160	120	140	31 – 375
DIL P 250	120	140	31 – 375
DIL P 315	160	140	73 – 375