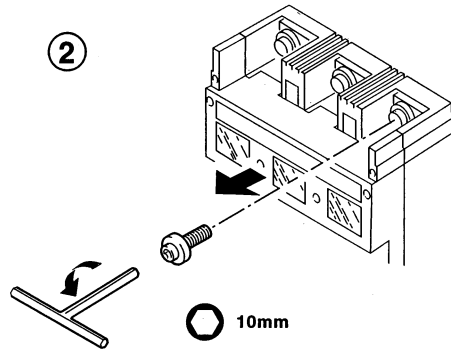
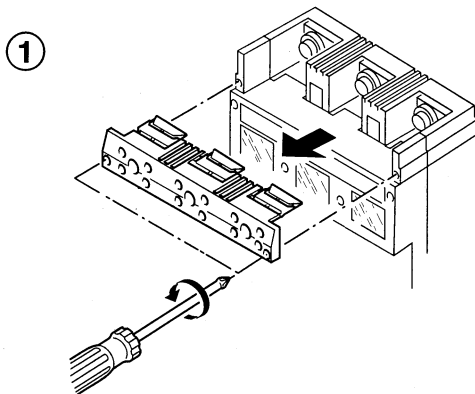


04/99 AWA 123-1232

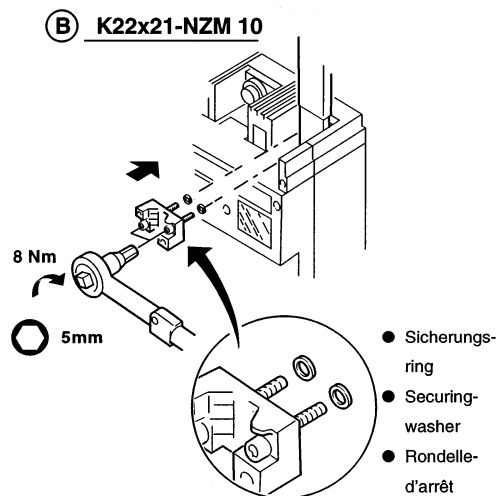
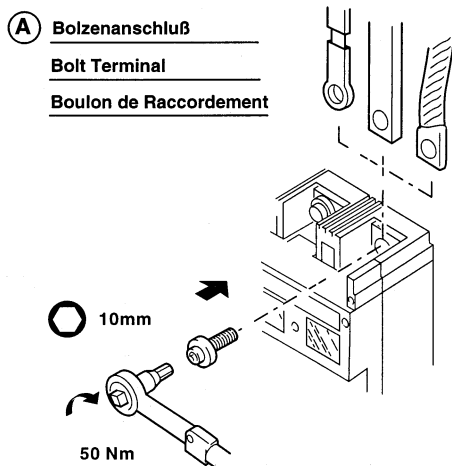
K 22x21-NZM 10
K 2x120-NZM 10
K 300-NZM 10
K 2x240-NZM 10
RG-NZM 10

04/99 AWA 123-1232

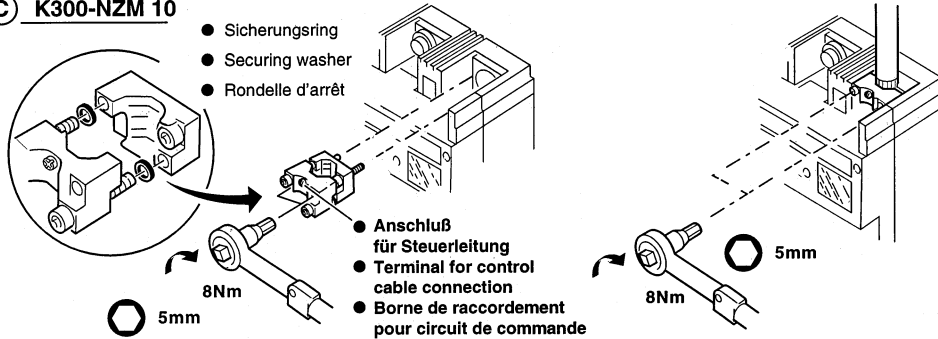


- 3**
- A** Bolzenanschluß
Bolt Terminal
Boulon de Raccordement
- B** K22x21-NZM 10

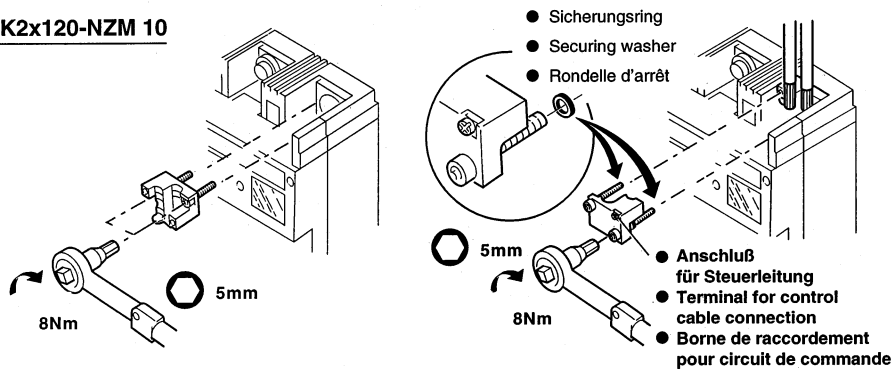
- C** K300-NZM 10
- D** K2x120-NZM 10
- E** K2x240-NZM 10
- F** RG-NZM 10
- G** K2x240W-NZM 10
- H** K2x240 IP-NZM 10



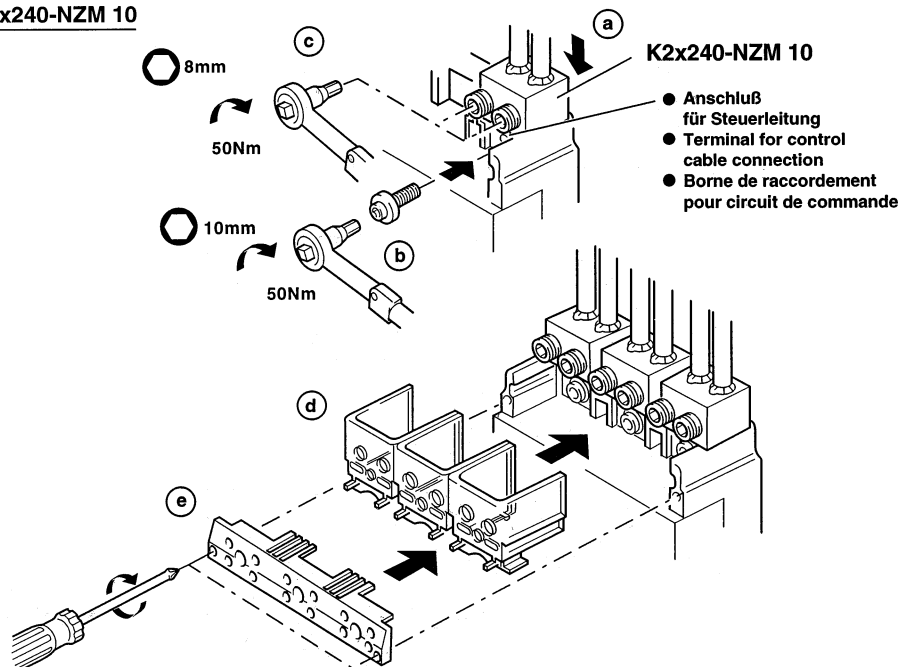
C K300-NZM 10



D K2x120-NZM 10

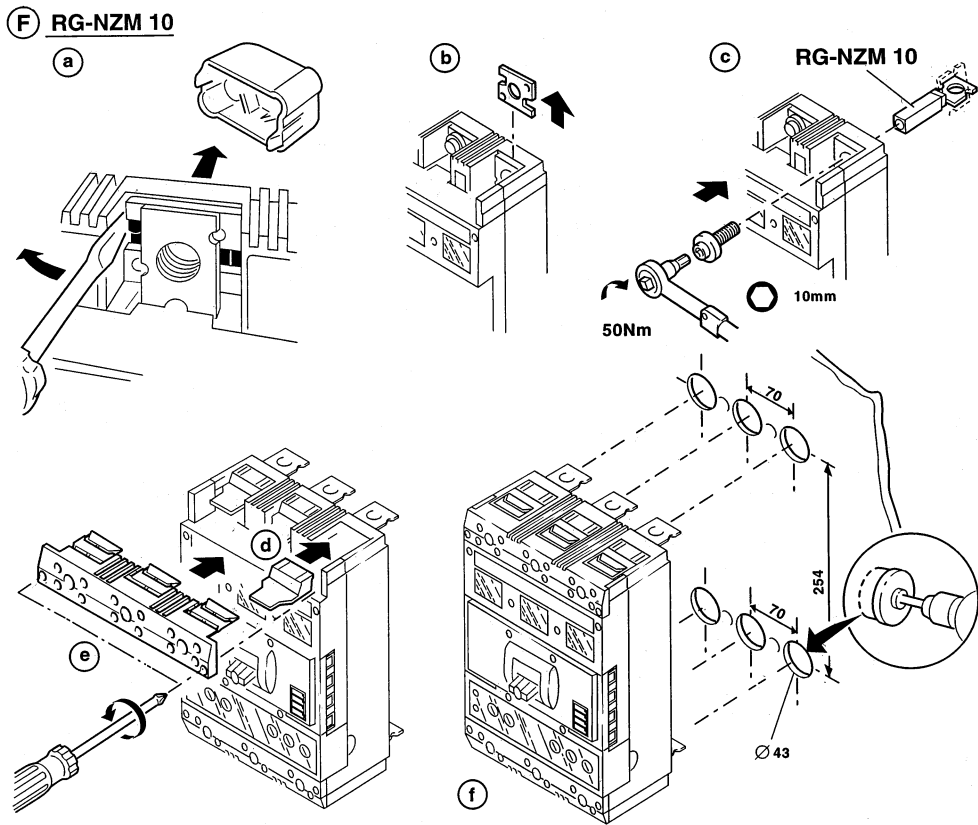


E K2x240-NZM 10



04/99 AWA 123-1232

04/99 AWA 123-1232

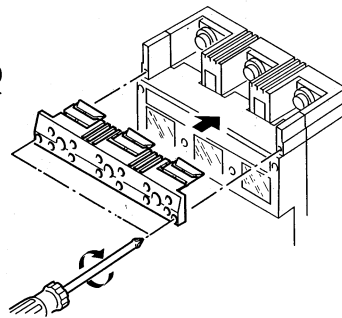


4

A Bolzenanschluß
Bolt Terminal
Boulon de Raccordement

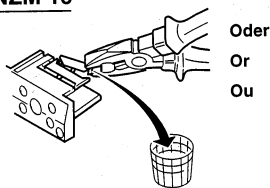
oder
 or
 ou

B K22x21-NZM 10

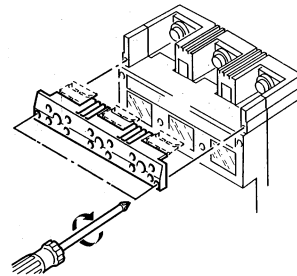
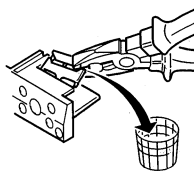


C K300-NZM 10

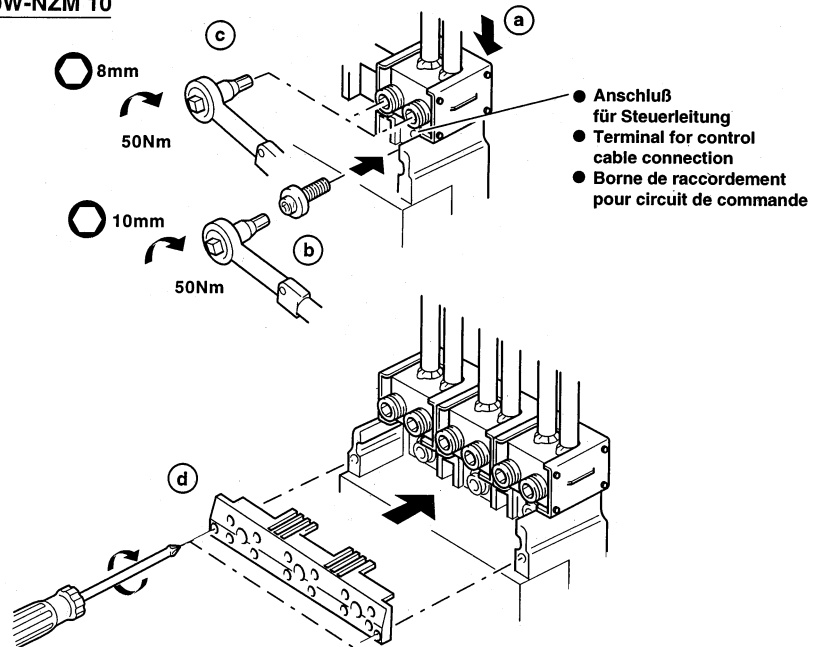
D K2x120-NZM 10



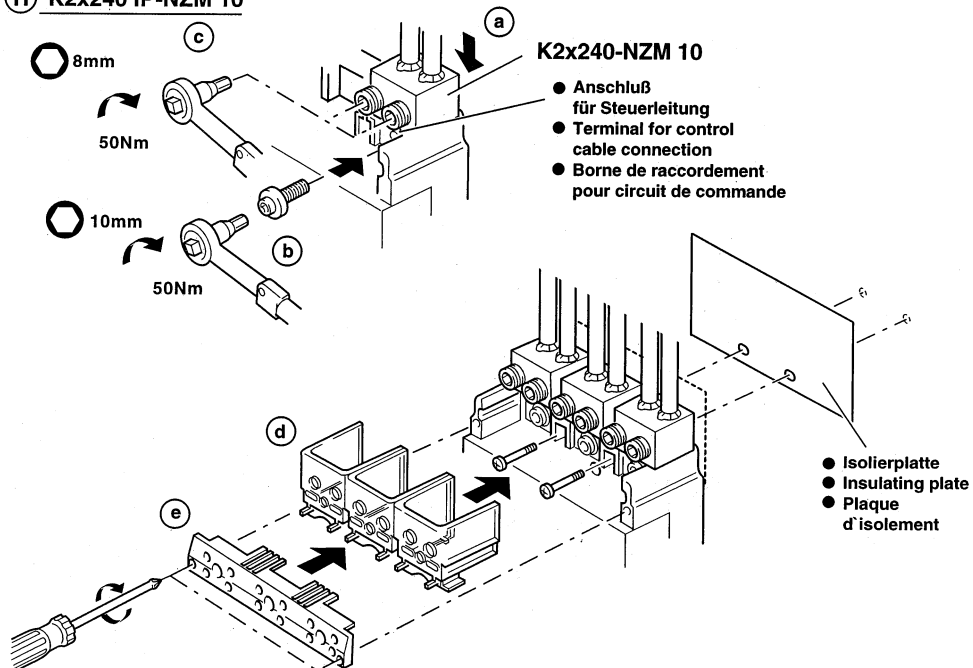
Oder
 Or
 Ou



G K2x240W-NZM 10



H K2x240 IP-NZM 10



04/99 AWA 123-1232

HINWEISE FÜR ANSCHLUSSMONTAGE
Anschlußklemmensystem für Leistungsschalter NZM10

INSTRUCTIONS FOR FIELD WIRING
Terminal kit system for circuit breaker NZM10

INSTRUCTIONS DE RACCORDEMENT
Système de raccordement pour disjoncteurs NZM10

Tablette gilt nur für Nordamerika

Table valid only for North America

Tableau valide seulement pour l'Amérique du Nord

04/99 AWA 123-1232

| Anschluß Connector Bornes | Leiterquerschnitt Wire size Section des conducteurs | | - Bemessungs- betriebsstrom - Rated operational current - Courant d'emploi assigné | - Anzugsdreh- moment - Tightening torque - Couple de serrage |
|--|--|-----------------------------------|---|---|
| Bolzenanschluß Beinhaltet Klemmenabdeckung Bolt Terminal Including terminal cover Boulon de raccordement Comprenant capot de protection | | | 600 A | 50 Nm |
| K2 x 240W -NZM 10 Integrierte Klemmenabdeckung Integrated terminal cover Capot de protection intégré | 2 x AWG2 - 2 x 500 MCM | Cu + Al | 600 A | 50 Nm |
| K2 x 240 IP-NZM 10 - Beinhaltet Isolierplatte, Klemmenabdeckung - Including insulating plate, terminal cover - Comprenant plaque d'isole- ment, capot de protection | | | | |
| Auxiliary terminal | AWG 18-14 (control cable) | | | 1.2 Nm |
| K2 x 120 | 2 x AWG3/0 - 2 x 250 MCM | Nur Cu Cu only Seulement Cu | 500 A | 8 Nm |
| Auxiliary terminal | AWG 18-14 (control cable) | | | 1.2 Nm |
| K300 | 250 MCM - 500 MCM | Nur Cu Cu only Seulement Cu | 350 A | 8 Nm |
| Auxiliary terminal | AWG 18-14 (control cable) | | | 1.2 Nm |

5/5

© 1999 by Moeller GmbH
53105 Bonn

Änderungen
vorbehalten

04/99 AWA 123-1232 / DM (04/99)
Printed in the Federal Republic of Germany