
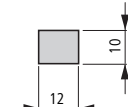
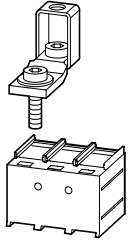
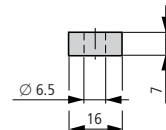
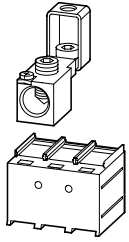
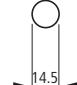
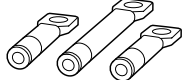


xEnergy		NZM1	Moeller HPL0211-2007-2008		http://catalog.moeller.net	
Max. cable connection area	For use with	Terminal capacities	Type of conductor	AWG/kcmil		
				mm ²		
Box terminal						
Standard equipment						
		NZM1(-4), PN1(-4), N(S)1(-4)	Three- and four-pole	Cu cable	1 × 10 – 70 ¹⁾ 2 × 6 – 25	1 × 8 – 2/0 2 × 9 – 4
Screw connection						
		NZM1(-4), PN1(-4), N(S)1(-4)	Three- and four-pole	Copper cable lugs Aluminium cable lug	1 × 10 – 70 2 × 6 – 25 1 × 10 – 35 2 × 10 – 35	1 × 8 – 2/0 2 × 9 – 4 1 × 8 – 2 2 × 8 – 2
Tunnel terminal						
		NZM1(-4), PN1(-4), N(S)1(-4)	Three- and four-pole	Copper cable Al cable	1 × 16 – 95	1 × 6 – 3/0 –
Connection on rear						
not UL/CSA approved						
	–	NZM1(-4), PN1(-4), N(S)1(-4)	Three- and four-pole	Copper cable lugs Aluminium cable lug	1 × 2.5 – 25 2 × 2.5 – 25 1 × 10 – 35 2 × 10 – 35	–

Notes ¹⁾ Up to 240 mm² can be connected depending on the cable manufacturer.

http://catalog.moeller.net		Moeller HPL0211-2007-2008	NZM1		xEnergy	
Terminal capacities	Copper busbar width × thickness	Part no. Article no. when ordered separately	Std. pack	Notes		
Cu strip (number of segments × width × segment thickness)						
mm	mm					
2 × 9 × 0.8 9 × 9 × 0.8		NZM1-XKC 260015	1 off	Standard connection with all switches NZM1, PN1 and N(S)1.		
		NZM1-4-XKC 267075	1 off	Conversion kit for circuit-breaker with screw connection. Type contains parts for a 3 or 4-pole switch side. Fitted within the switch housing		
	min. 12 × 5 max. 16 × 5	NZM1-XKS 260019	1 off	Type contains parts for a terminal located at top or bottom for 3 or 4-pole circuit-breakers.		
	min. 12 × 5 max. 16 × 5	NZM1-4-XKS 266725	1 off	Fitted outside the switch housing Mounting of the cover NZM1(-4)-XKSA obligatory (supplied).		
		NZM1-XKA 266730	1 off	Type contains parts for a terminal located at top or bottom for 3 or 4-pole circuit-breakers.		
		NZM1-4-XKA 266731	1 off	A standard with control circuit terminal for 1 × 0.75 – 2.5 mm ² (18 – 14 AWG) or 2 × 0.75 – 1.5 mm ² (18 – 14 AWG) copper conductors. Fitted outside the switch housing Use with flexible and highly flexible conductors ferrules. Maximum specified cross-section can only be connected when stranded and without ferrules. Mounting of the cover NZM1(-4)-XKSA obligatory (supplied).		
	≅ 12 × 5 ≅ 16 × 5	NZM1-XKR 266734	1 off	Type contains parts for a terminal located at top or bottom for 3 or 4-pole circuit-breakers.		
		NZM1-4-XKR 266737	1 off			