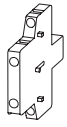
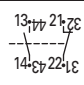
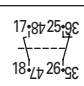
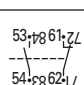


Contactors and Starters

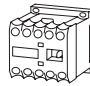
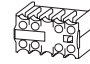
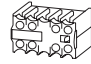
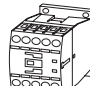


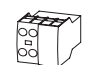


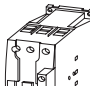



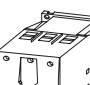
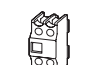


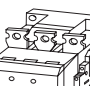

34

Table 34-77. Side Mount Auxiliary Contacts for Frame D – R, 40 – 2000A

	Conventional Free Air Thermal Current, I _{th} = I _e , AC-1 in Amps	Poles	Contact Configuration	Circuit Symbol	Pkg. Qty.	Screw Terminals	Spring Cage Terminals	Price U.S. \$
						Catalog Number	Catalog Number	
Frame D – R								
	10	2	1NO-1NC		1	XTCEXSBN11	XTCEXSBNC11	
	10	2	1NO _E -1NC _L		1	XTCEXSBLN11 ①	—	
	10	2	1NO-1NC		1	XTCEXSCN11 ②	XTCEXSCNC11 ②	

- ① 1 early-make contact (1NO_E), 1 late-break contact (1NC_L).
- ② To maintain proper terminal marking, XTCEXSCN_ should not be used with Frame D contactors and only used with Frame F – G contactors in combination with XTCEXSBN_.

Table 34-78. Auxiliary Contacts Possible Combinations

Frame Size	Catalog Number	Contactor	Built-In Auxiliary	Front (Top) Mount		Side Mount	Total Auxiliary Contacts Available
				2-Pole	4-Pole	2-Pole	
A	XTMC6A... – XTMC9A...		1NO or 1NC	1	—	—	3
				—	1	—	5
						—	—
B	XTCE007B... – XTCE015B...		1NO or 1NC	1	—	—	3
				—	1	—	5
						—	—
C	XTCE018C... – XTCE032C...		1NO or 1NC	1	—	—	3
				—	1	—	5
				—	—	1	3
							—
D	XTCE040D00_ – XTCE065D00_		—	1	—	2	6
				—	1	1	6
							—
F – G	XTCE080F00_ – XTCE150G00_		—	1	—	2	6
				—	1	2	8
				—	—	4	8
			—				
L – R	XTCE185L22_ – XTCEC20R22_		2NO-2NC	—	—	2	8
				—	—		—

- Notes:**
- Forced operation contact to IEC/EN 60947-5-1 Appendix L (positively driven), inside the auxiliary contact unit (not early close and late opening).
 - Auxiliary normally closed contact can be used as mirror contact to IEC/EN 60947-4-1 Appendix F (not late opening).
 - No auxiliary contacts can be fitted between two contactors.



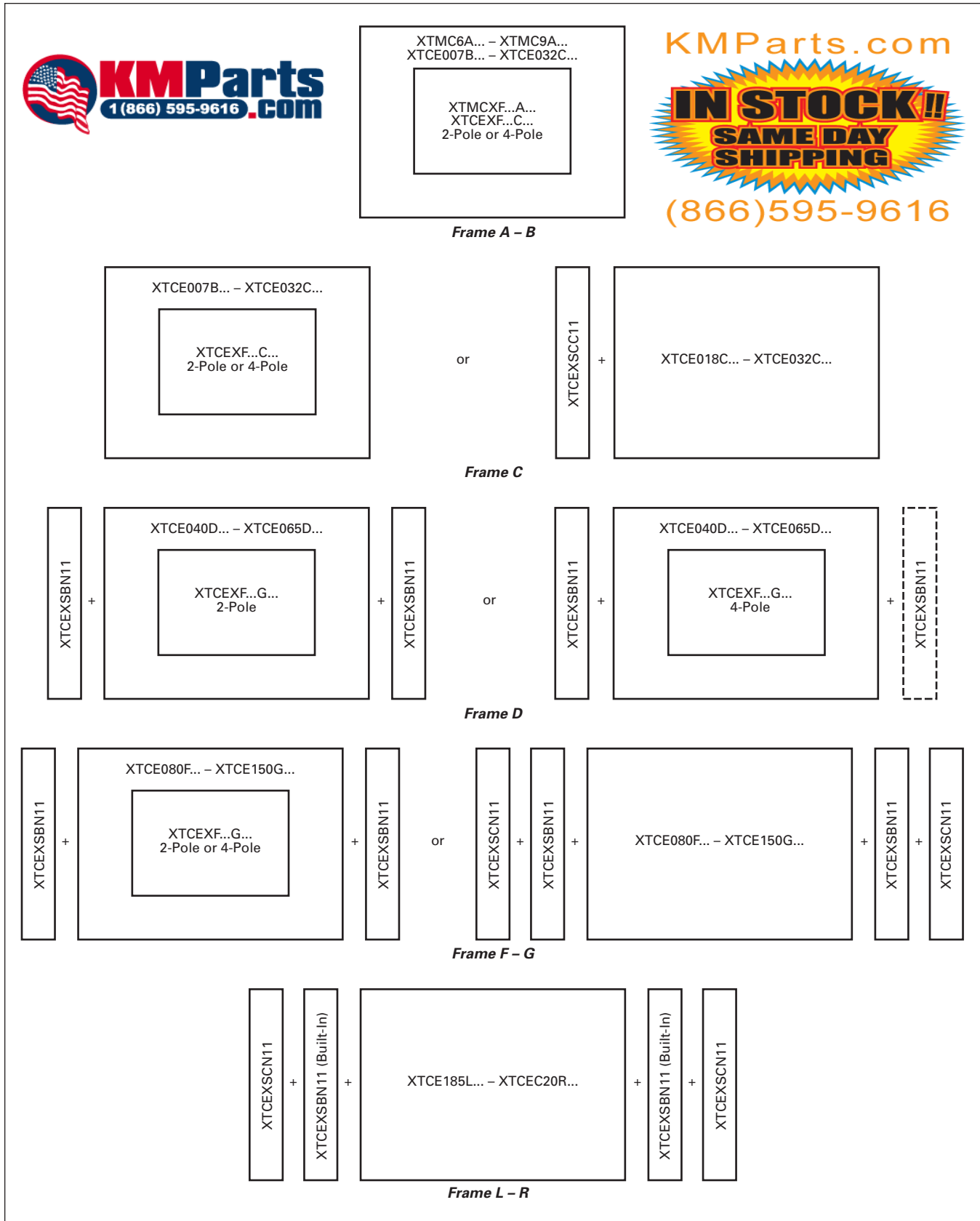


Figure 34-37. Auxiliary Contact Combinations