

Montageanweisung
Installation Instructions
Notice d'installation
Istruzioni per il montaggio

Instrucciones de montaje
Инструкция по монтажу
安装说明

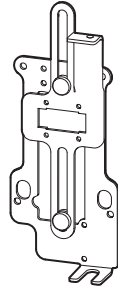


NZM2... NZM3...

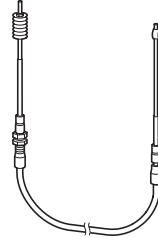
NZM-XSHGVR12-NA
NZM-XSHGVR4X-NA



NZM2-XSHM-NA
NZM3-XSHM-NA



NZM-XSHBZ36-NA
NZM-XSHBZ48-NA
NZM-XSHBZ60-NA



Lebensgefahr durch elektrischen Strom!
Nur Elektrofachkräfte und elektrotechnisch unterwiesene Personen dürfen die im Folgenden beschriebenen Arbeiten ausführen.

Electric current! Danger to life!

Only skilled or instructed persons may carry out the following operations.

Tension électrique dangereuse !

Seules les personnes qualifiées et averties doivent exécuter les travaux ci-après.

Tensione elettrica: Pericolo di morte!

Solo persone abilitate e qualificate possono eseguire le operazioni di seguito riportate.

¡Corriente eléctrica! ¡Peligro de muerte!

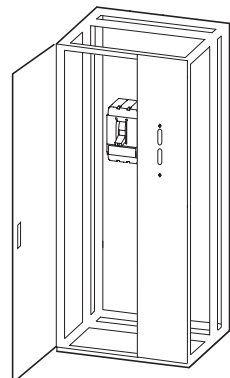
El trabajo a continuación descrito debe ser realizado por personas cualificadas y advertidas.

Электрический ток! Опасно для жизни!

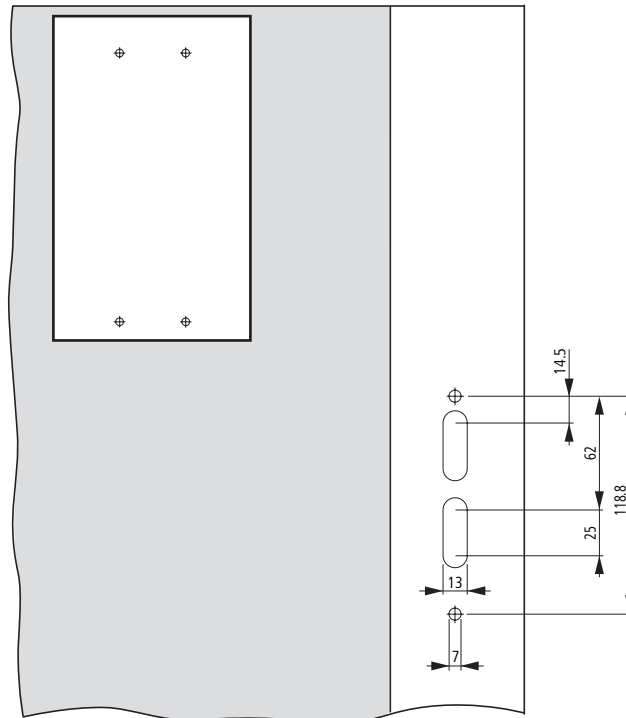
Только специалисты или проинструктированные лица могут выполнять следующие операции.

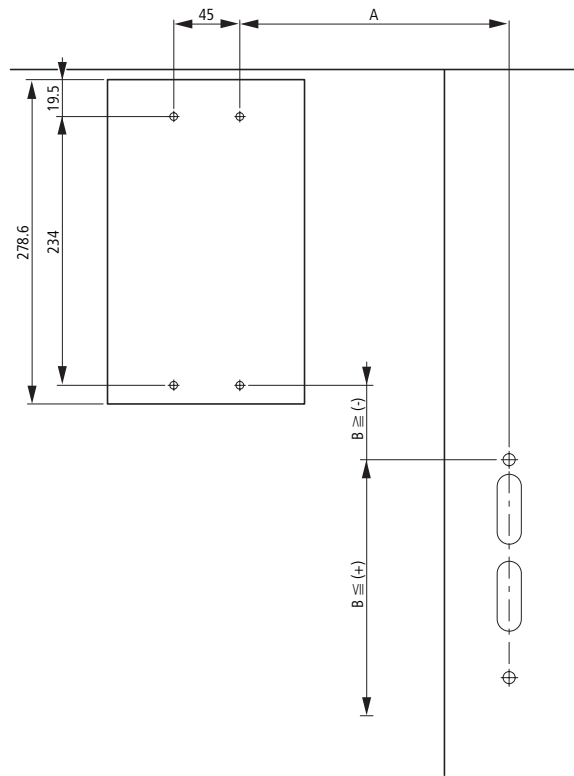
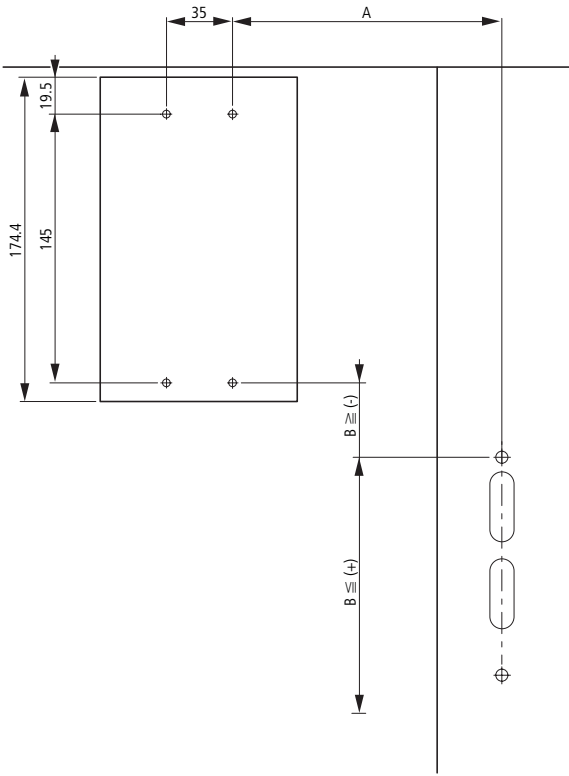
触电危险!

只允许专业人员 and 受过专业训练的人员进行下列工作。



Drilling template for side handle mechanism
Bohrbild für Seitenhebelantrieb





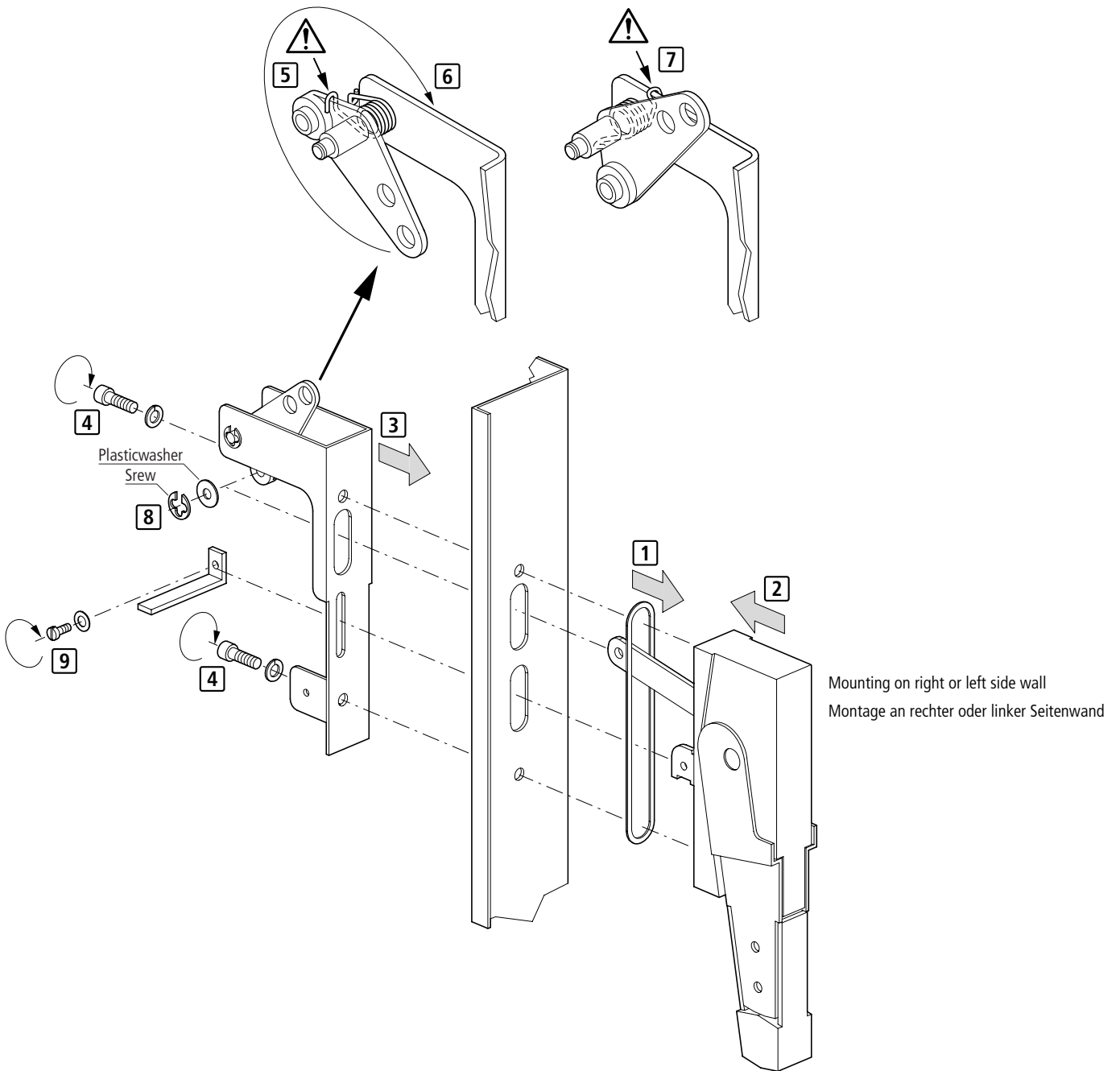
CIRCUIT BREAKER MOUNTING DIMENSION

MAXIMUM „A“ DIMENSION

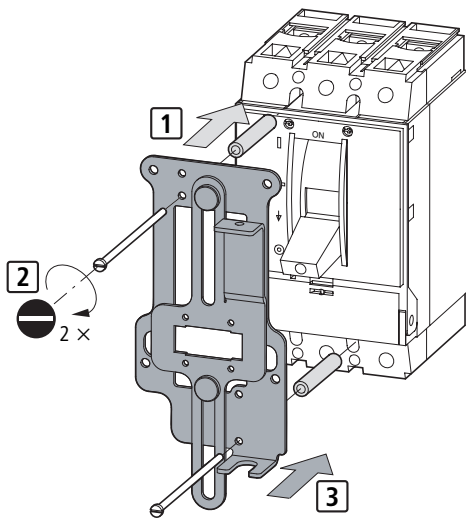
Frame Size	Cable	8 inch (mm)	10 inch (mm)	12 inch (mm)	16 inch (mm)	18 inch (mm)	20 inch (mm)	24 inch (mm)	30 inch (mm)
NZM2	36"	13.80 (350.50)	13.50 (342.90)	13.00 (330.20)	10.70 (271.80)	8.70 (221.00)	5.30 (134.60)		
	48"	25.80 (655.30)	25.70 (652.80)	25.30 (642.60)	24.20 (614.70)	23.40 (594.30)	22.40 (568.90)	19.60 (497.80)	12.20 (309.90)
	60"	37.60 (955.30)	37.50 (952.80)	37.10 (942.60)	36.00 (914.70)	35.20 (894.30)	34.20 (868.90)	31.40 (797.80)	24.00 (609.90)
NZM3	36"	11.20 (284.80)	11.00 (279.40)	10.50 (266.70)	8.320 (210.80)	6.50 (185.10)	3.50 (88.90)		
	48"	23.20 (589.30)	23.20 (584.20)	22.80 (579.10)	21.70 (551.20)	21.00 (533.40)	20.00 (508.00)	17.30 (433.40)	10.20 (259.10)
	60"	35.00 (889.30)	34.80 (884.20)	35.30 (897.10)	33.51 (851.20)	32.80 (833.40)	31.80 (808.00)	28.90 (733.40)	22.00 (559.10)

MAXIMUM „B“ DIMENSION

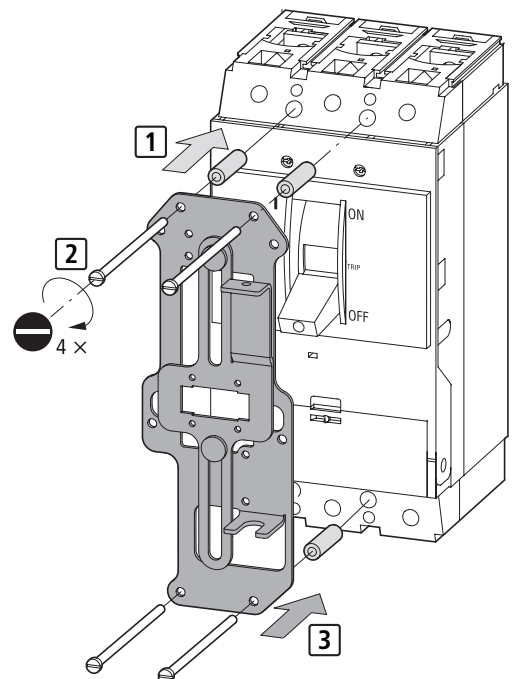
Frame Size	Cable	8 inch (mm)	10 inch (mm)	12 inch (mm)	16 inch (mm)	18 inch (mm)	20 inch (mm)	24 inch (mm)	30 inch (mm)
NZM2	36"	≧ -4.20 (-106.70)	≧ -5.20 (-132.10)	≧ -6.00 (-152.40)	≧ -4.50 (-114.30)	≧ -3.40 (-86.30)	≧ 0.60 (15.20)		
		≧ 15.50 (393.70)	≧ 15.00 (381.00)	≧ 14.70 (373.40)	≧ 14.20 (360.70)	≧ 12.80 (325.10)	≧ 10.00 (254.00)		
NZM3	48"	≧ -16.00 (406.40)	≧ -16.50 (419.10)	≧ 17.00 (431.80)	≧ -16.50 (419.10)	≧ -16.00 (406.40)	≧ -15.50 (393.70)	≧ -14.00 (355.60)	≧ -8.70 (-221.00)
		≧ 27.00 (685.80)	≧ 27.00 (685.80)	≧ 26.80 (680.70)	≧ 26.50 (673.10)	≧ 25.50 (647.70)	≧ 24.50 (622.30)	≧ 22.50 (571.50)	≧ 17.40 (442.00)
	60"	≧ 27.80 (706.40)	≧ 28.30 (719.10)	≧ 28.80 (731.80)	≧ 28.30 (719.10)	≧ 27.80 (706.40)	≧ 27.30 (693.70)	≧ 25.80 (655.60)	≧ 20.50 (521.00)
		≧ 38.80 (985.80)	≧ 38.80 (985.80)	≧ 38.60 (980.70)	≧ 28.30 (973.10)	≧ 37.30 (947.70)	≧ 36.30 (922.30)	≧ 34.30 (871.50)	≧ 29.20 (742.00)




1a

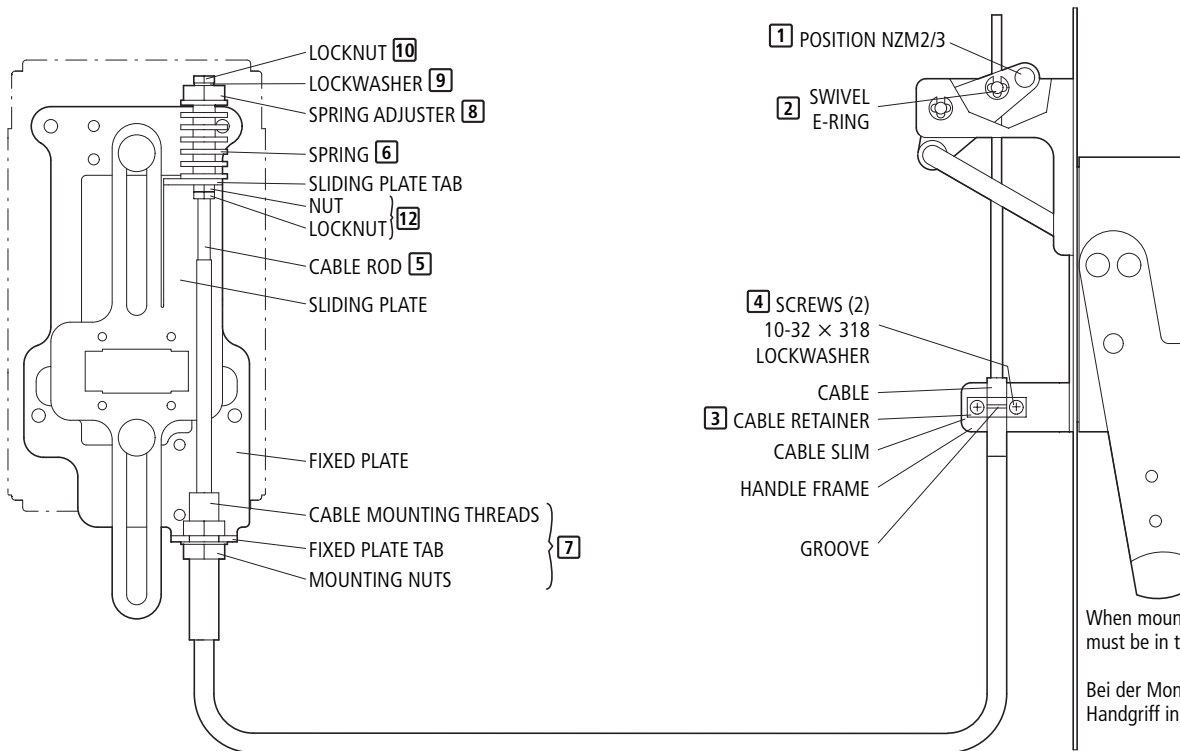


1b



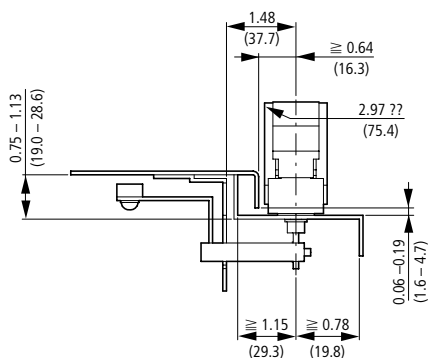
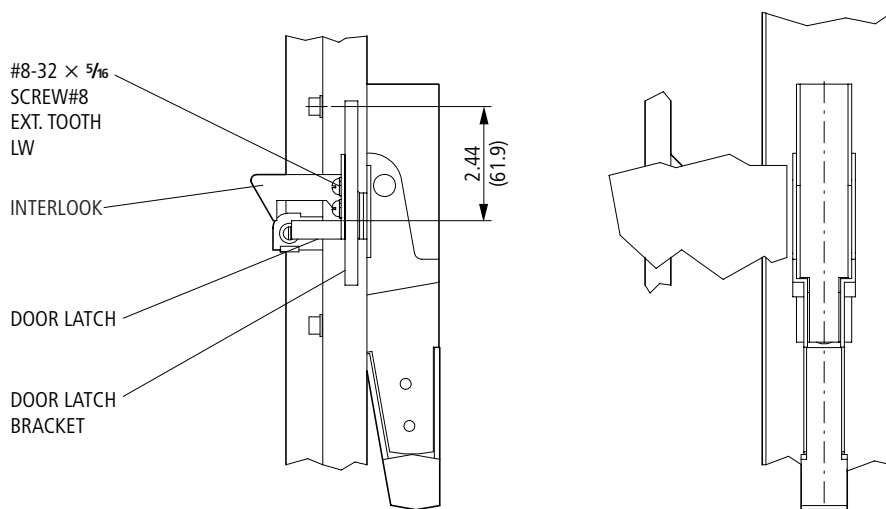
2 Installation steps: **1 2 3** ...
Montagereihenfolge: **1 2 3** ...

11 Switching function = steps
 Schaltweinstellung = Punkt **8 + 12**  vertical adjustment
 vertical justieren



When mounting (adjusting) the handle must be in the **OFF position**.
 Bei der Montage (Justierung) muss der Handgriff in **AUS-Stellung** stehen.

3 Mounting example for panels without door interlock.
Montagebeispiel für Schaltschränke ohne Türverriegelung



09/06 AWA1230-2362