

PZ(1)(2)(3)(4)-MI



Lebensgefahr durch elektrischen Strom!
Nur Elektrofachkräfte und elektrotechnisch unterwiesene Personen dürfen die im Folgenden beschriebenen Arbeiten ausführen.

Electric current! Danger to life!

Only skilled or instructed persons may carry out the following operations.

Tension électrique dangereuse !

Seules les personnes qualifiées et averties doivent exécuter les travaux ci-après.

Tensione elettrica: Pericolo di morte!

Solo persone abilitate e qualificate possono eseguire le operazioni di seguito riportate.

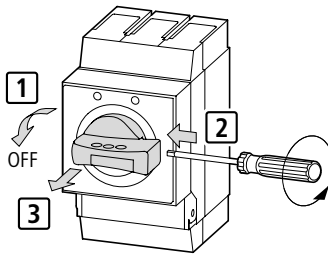
¡Corriente eléctrica! ¡Peligro de muerte!

El trabajo a continuación descrito debe ser realizado por personas cualificadas y advertidas.

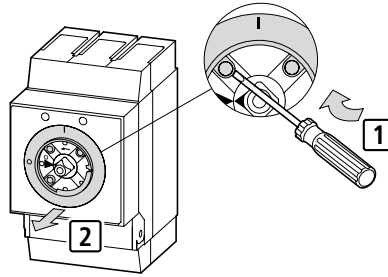
Электрический ток! Опасно для жизни!
Только специалисты или проинструктированные лица могут выполнять следующие операции.

触电危险！
只允许专业人员和受过专业训练的人员进行下列工作。

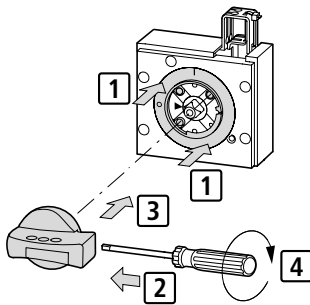
1a PZ...-DV



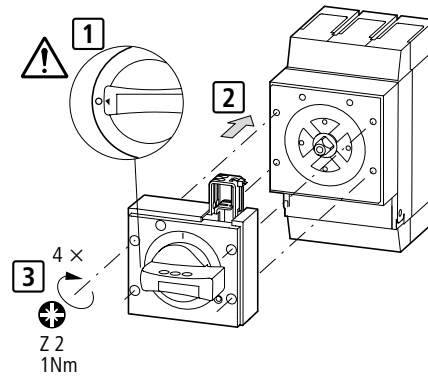
2a



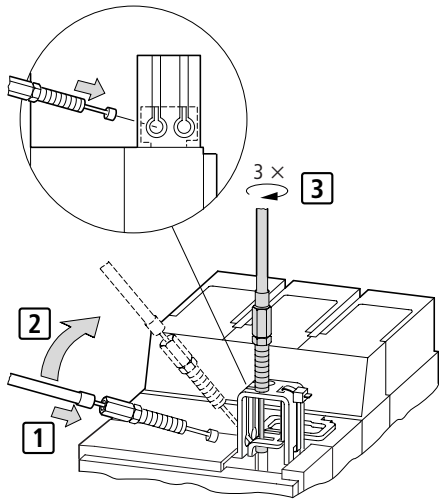
3a



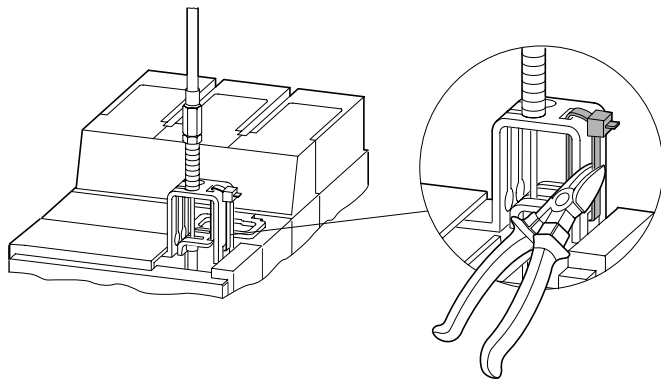
4a



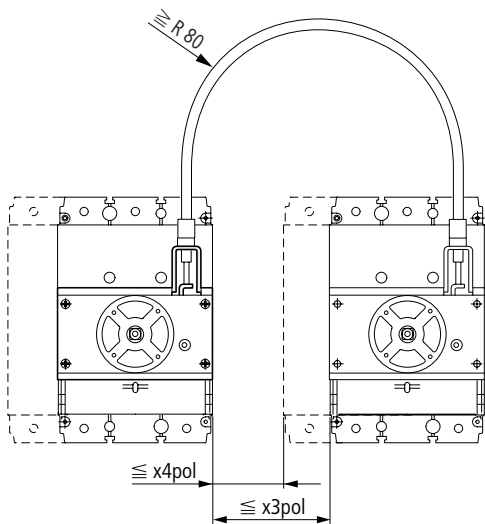
1 PZ...-MI



2



3



PZ-BZ225

		PM(S)C1		PM(S)C2		PM(S)C3		PM(S)C4	
		x3pol mm	x4pol mm	x3pol mm	x4pol mm	x3pol mm	x4pol mm	x3pol mm	x4pol mm
PM(S)C1	3/4 pol	135	105	120	85	135	90	125	80
PM(S)C2	3/4 pol	135	105	120	85	135	90	125	80
PM(S)C3	3/4 pol	90	75	75	35	85	40	80	45
PM(S)C4	3/4 pol	50	35	40	15	25		15	

PZ-BZ600

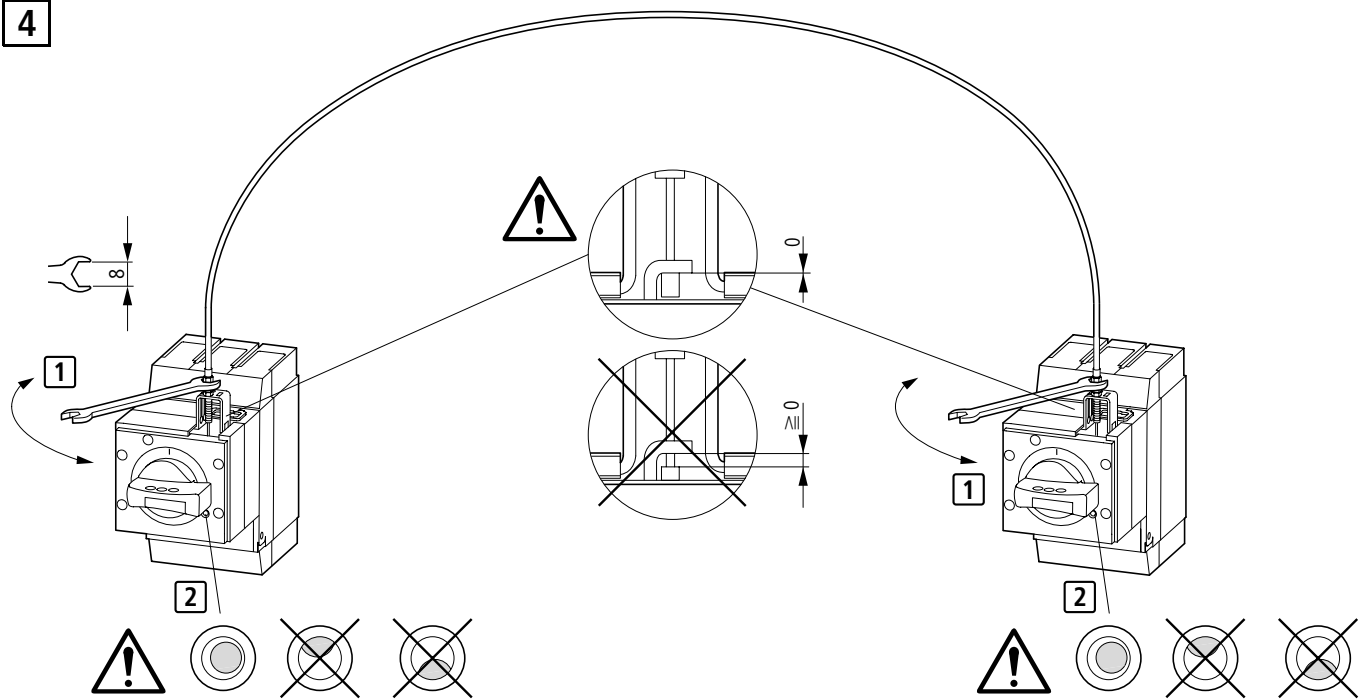
		PM(S)C1		PM(S)C2		PM(S)C3		PM(S)C4	
		x3pol mm	x4pol mm	x3pol mm	x4pol mm	x3pol mm	x4pol mm	x3pol mm	x4pol mm
PM(S)C1	3/4 pol	510	480	495	460	510	465	475	405
PM(S)C2	3/4 pol	510	480	495	460	510	465	475	405
PM(S)C3	3/4 pol	460	430	450	410	460	415	460	390
PM(S)C4	3/4 pol	400	370	380	340	400	375	390	320

PZ-BZ1000

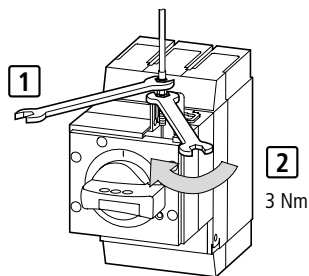
		PM(S)C1		PM(S)C2		PM(S)C3		PM(S)C4	
		x3pol mm	x4pol mm	x3pol mm	x4pol mm	x3pol mm	x4pol mm	x3pol mm	x4pol mm
PM(S)C1	3/4 pol	910	880	895	860	910	865	865	795
PM(S)C2	3/4 pol	910	880	895	860	910	865	865	795
PM(S)C3	3/4 pol	820	790	850	810	860	815	860	790
PM(S)C4	3/4 pol	750	720	730	700	800	775	790	720

02/05 AWA1230-2231

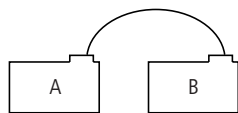
4



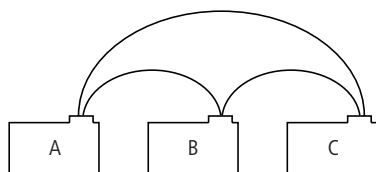
5



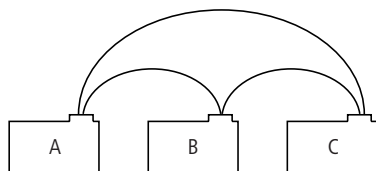
TEST



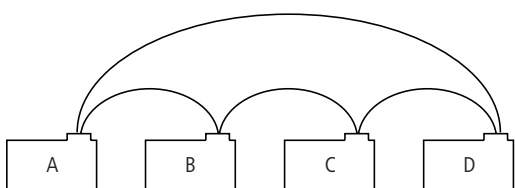
A	B
OFF	OFF
ON/TRIP	ON
ON	ON/TRIP



A	B	C
OFF	OFF	OFF
ON	ON/TRIP	ON
ON/TRIP	ON	ON/TRIP



A	B	C
OFF	OFF	OFF
ON/TRIP	ON	ON
ON	ON/TRIP	ON
ON	ON	ON/TRIP



A	B	C	D
OFF	OFF	OFF	OFF
ON/TRIP	ON	ON/TRIP	ON
ON	ON/TRIP	ON	ON/TRIP

02/05 AWA1230-2231