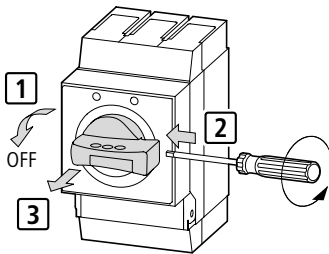


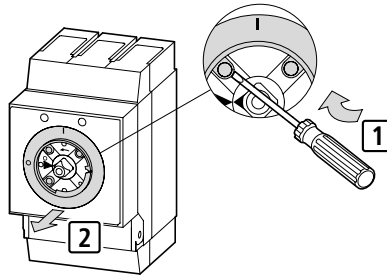
NZM1-XMV
NZM2-XMV

NZM3-XMV
NZM4-XMV

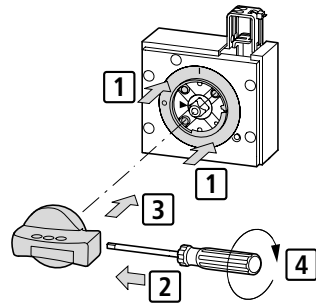
1a NZM...-XD(V)(R)



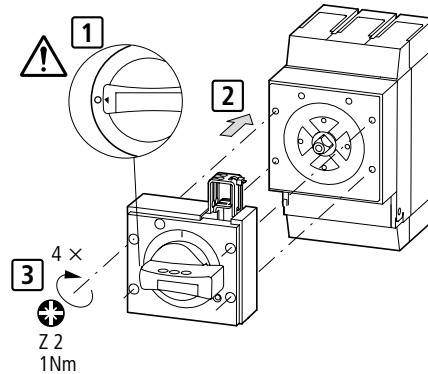
2a



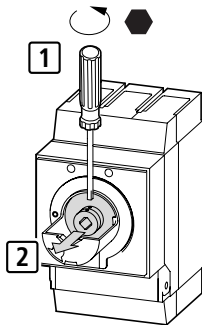
3a



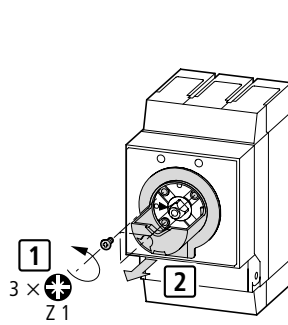
4a



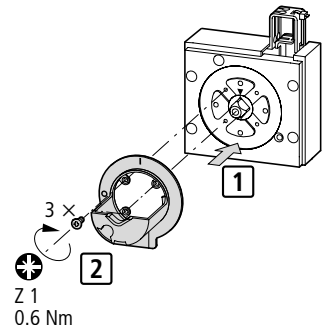
1b NZM...-XT(V)D(V)(R)



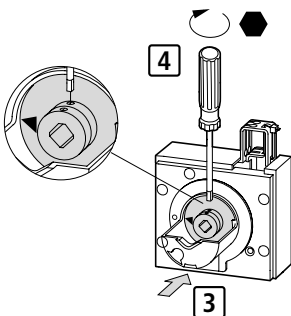
2b



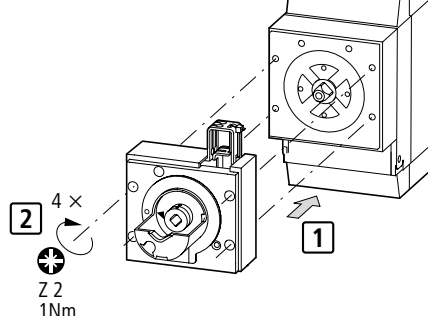
3b



4b



5b



Lebensgefahr durch elektrischen Strom!
 Nur Elektrofachkräfte und elektrotechnisch unterwiesene Personen dürfen die im Folgenden beschriebenen Arbeiten ausführen.

Electric current! Danger to life!
 Only skilled or instructed persons may carry out the following operations.

Tension électrique dangereuse !
 Seules les personnes qualifiées et averties doivent exécuter les travaux ci-après.

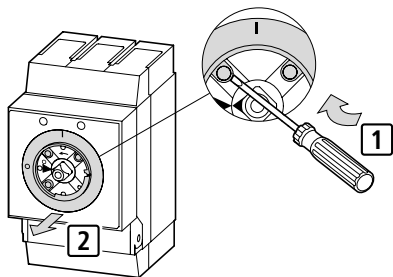
Tensione elettrica: Pericolo di morte!
 Solo persone abilitate e qualificate possono eseguire le operazioni di seguito riportate.

¡Corriente eléctrica! ¡Peligro de muerte!
 El trabajo a continuación descrito debe ser realizado por personas cualificadas y advertidas.

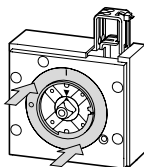
Электрический ток! Опасно для жизни!
 Только специалисты или проинструктированные лица могут выполнять следующие операции.

触电危险!
 只允许专业人员和受过专业训练的人员进行下列工作。

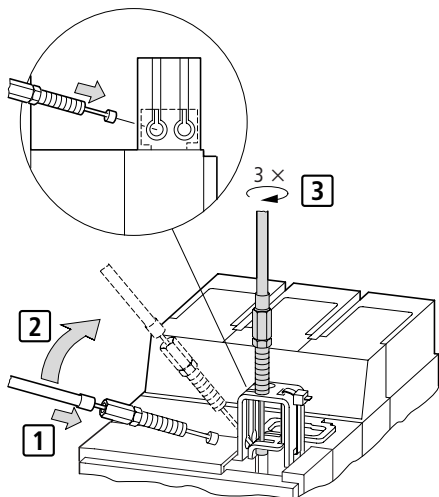
2c NZM...-XT(V)D(V)(R)-(60)(0)



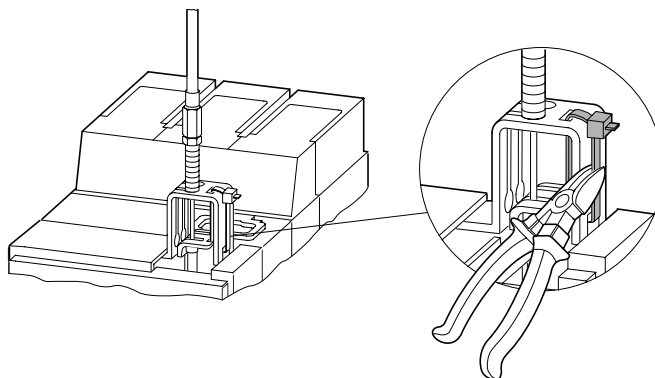
3c



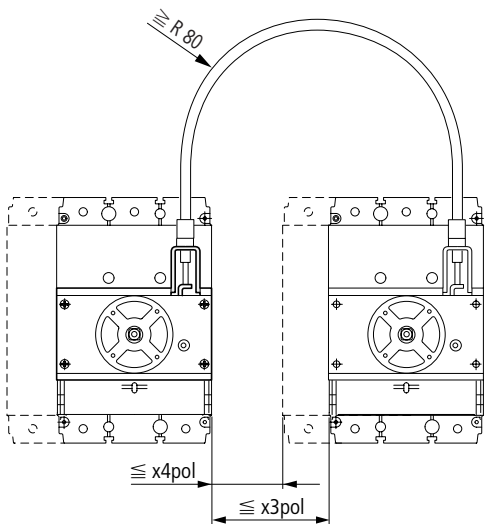
1 NZM...-XMV



2



3



NZM-XBZ225

		NZM1		NZM2		NZM3		NZM4	
		x3pol mm	x4pol mm	x3pol mm	x4pol mm	x3pol mm	x4pol mm	x3pol mm	x4pol mm
NZM1	3/4 pol	135	105	120	85	135	90	125	80
NZM2	3/4 pol	135	105	120	85	135	90	125	80
NZM3	3/4 pol	90	75	75	35	85	40	80	45
NZM4	3/4 pol	50	35	40	15	25		15	

NZM-XBZ600

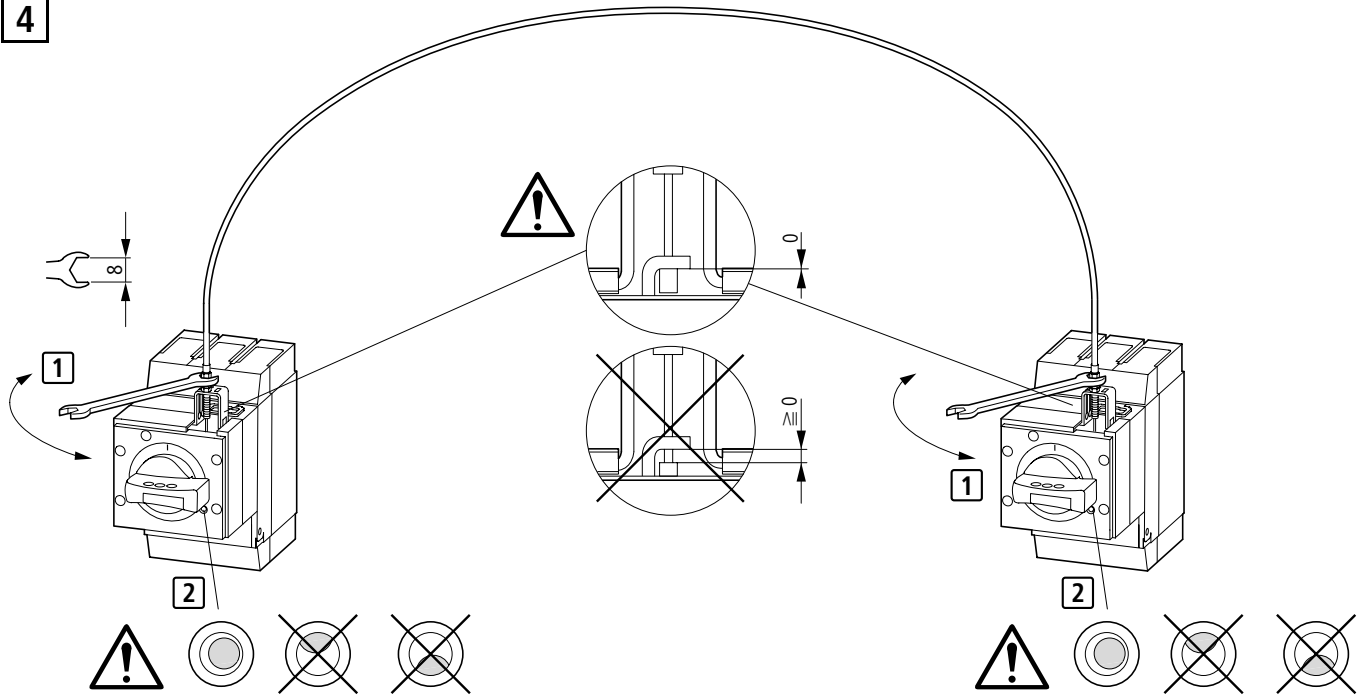
		NZM1		NZM2		NZM3		NZM4	
		x3pol mm	x4pol mm	x3pol mm	x4pol mm	x3pol mm	x4pol mm	x3pol mm	x4pol mm
NZM1	3/4 pol	510	480	495	460	510	465	475	405
NZM2	3/4 pol	510	480	495	460	510	465	475	405
NZM3	3/4 pol	460	430	450	410	460	415	460	390
NZM4	3/4 pol	400	370	380	340	400	375	390	320

NZM-XBZ1000

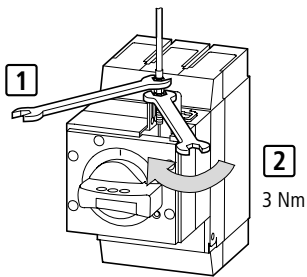
		NZM1		NZM2		NZM3		NZM4	
		x3pol mm	x4pol mm	x3pol mm	x4pol mm	x3pol mm	x4pol mm	x3pol mm	x4pol mm
NZM1	3/4 pol	910	880	895	860	910	865	865	795
NZM2	3/4 pol	910	880	895	860	910	865	865	795
NZM3	3/4 pol	820	790	850	810	860	815	860	790
NZM4	3/4 pol	750	720	730	700	800	775	790	720

04/04 AWA1230-2152

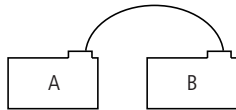
4



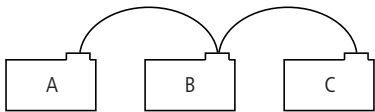
5



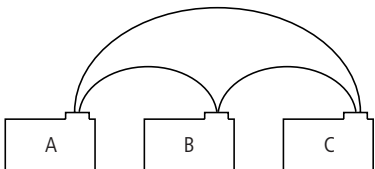
TEST



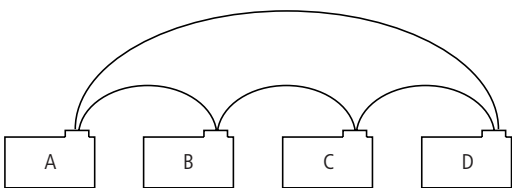
A	B
OFF	OFF
ON/TRIP	ON
ON	ON/TRIP



A	B	C
OFF	OFF	OFF
ON	ON/TRIP	ON
ON/TRIP	ON	ON/TRIP



A	B	C
OFF	OFF	OFF
ON/TRIP	ON	ON
ON	ON/TRIP	ON
ON	ON	ON/TRIP



A	B	C	D
OFF	OFF	OFF	OFF
ON/TRIP	ON	ON/TRIP	ON
ON	ON/TRIP	ON	ON/TRIP

04/04 AWA1230-2152