

PZ(1)(2)(3)-MI



Lebensgefahr durch elektrischen Strom!
 Nur Elektrofachkräfte und elektrotechnisch unterwiesene Personen dürfen die im Folgenden beschriebenen Arbeiten ausführen.

Electric current! Danger to life!

Only skilled or instructed persons may carry out the following operations.

Tension électrique dangereuse !

Seules les personnes qualifiées et averties doivent exécuter les travaux ci-après.

Tensione elettrica: Pericolo di morte!

Solo persone abilitate e qualificate possono eseguire le operazioni di seguito riportate.

¡Corriente eléctrica! ¡Peligro de muerte!

El trabajo a continuación descrito debe ser realizado por personas cualificadas y advertidas.

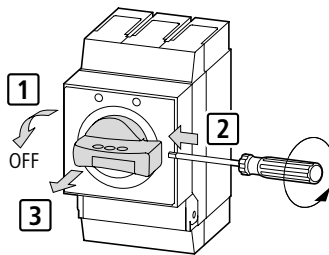
Электрический ток! Опасно для жизни!

Только специалисты или проинструктированные лица могут выполнять следующие операции.

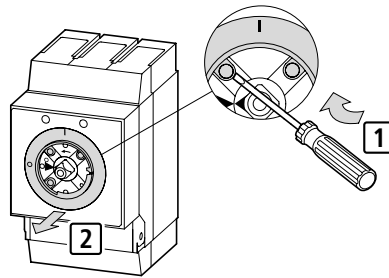
触电危险!

只允许专业人员 and 受过专业训练的人员进行下列工作。

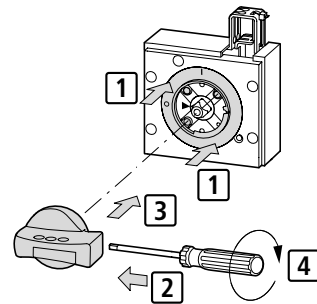
1a PZ...-XDV



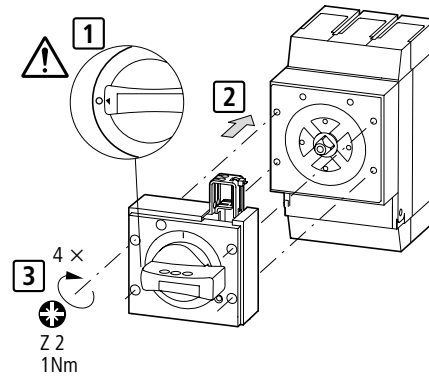
2a

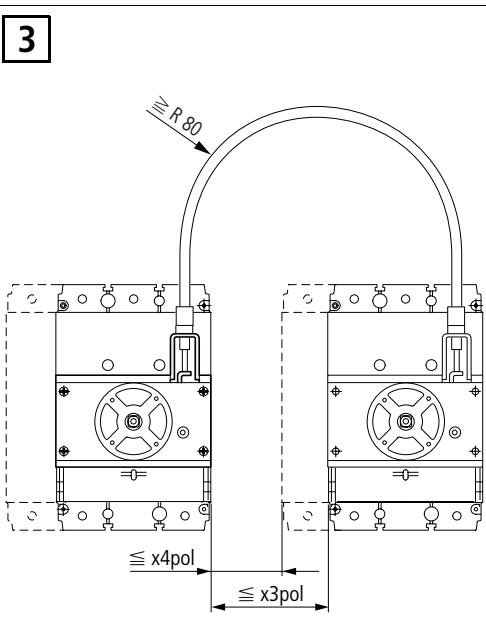
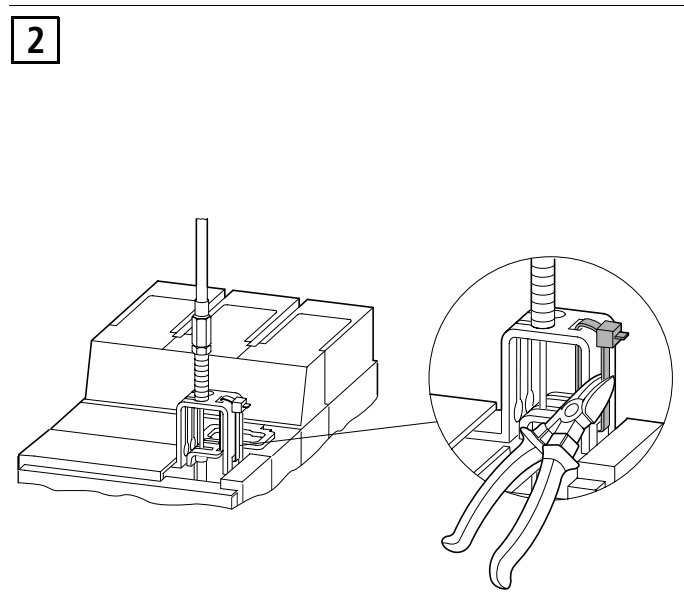
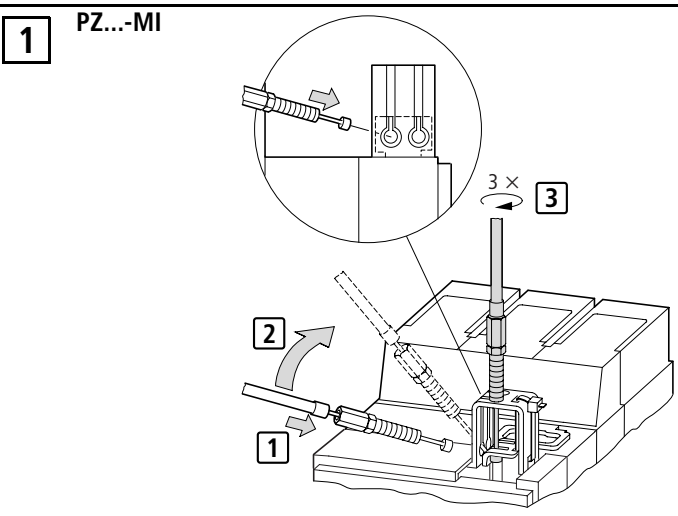


3a



4a





PZ-BZ225

		PM(S)C1		PM(S)C2		PM(S)C3	
		x3pol mm	x4pol mm	x3pol mm	x4pol mm	x3pol mm	x4pol mm
PM(S)C1	3/4 pol	135	105	120	85	135	90
PM(S)C2	3/4 pol	135	105	120	85	135	90
PM(S)C3	3/4 pol	90	75	75	35	85	40

PZ-BZ600

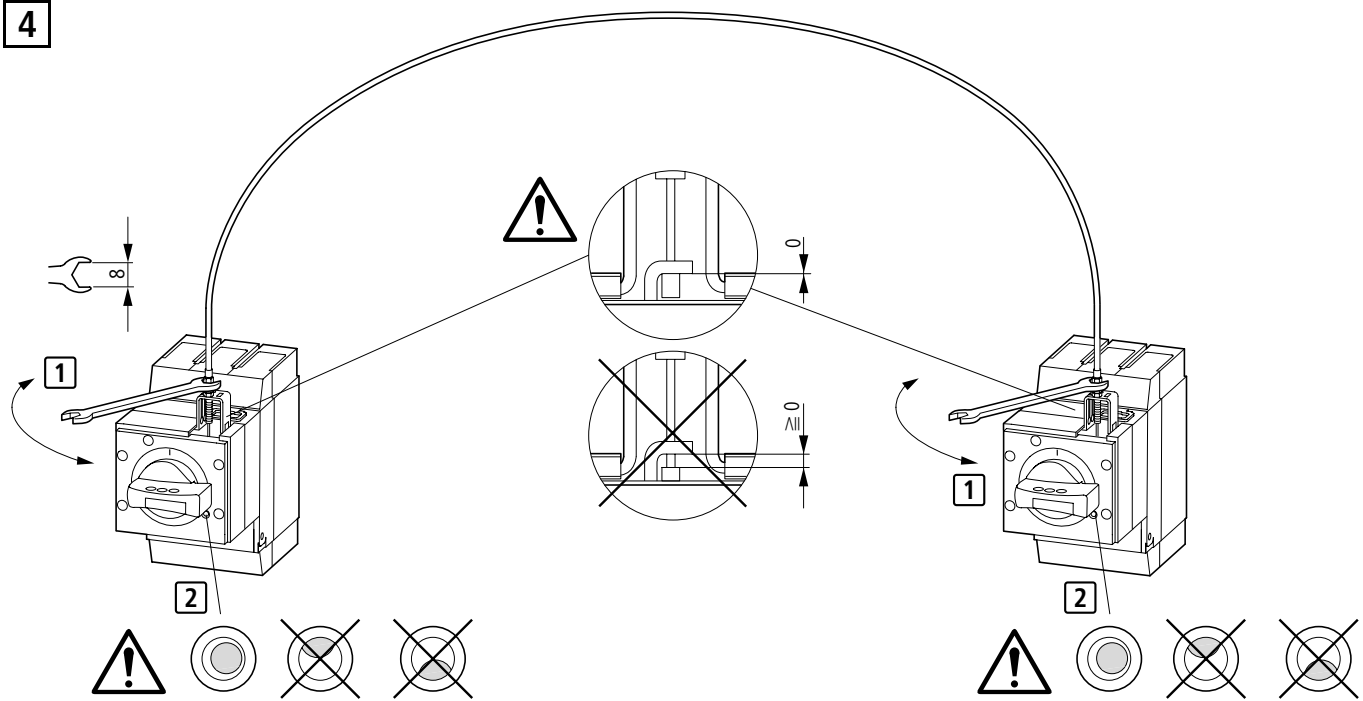
		PM(S)C1		PM(S)C2		PM(S)C3	
		x3pol mm	x4pol mm	x3pol mm	x4pol mm	x3pol mm	x4pol mm
PM(S)C1	3/4 pol	510	480	495	460	510	465
PM(S)C2	3/4 pol	510	480	495	460	510	465
PM(S)C3	3/4 pol	460	430	450	410	460	415

PZ-BZ1000

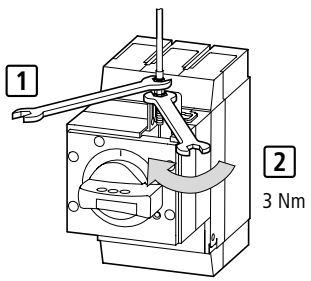
		PM(S)C1		PM(S)C2		PM(S)C3	
		x3pol mm	x4pol mm	x3pol mm	x4pol mm	x3pol mm	x4pol mm
PM(S)C1	3/4 pol	910	880	895	860	910	865
PM(S)C2	3/4 pol	910	880	895	860	910	865
PM(S)C3	3/4 pol	820	790	850	810	860	815

07/04 AWA1230-2231

4

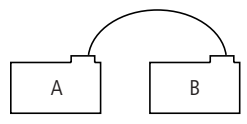


5

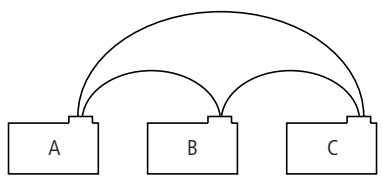


07/04 AWA1230-2231

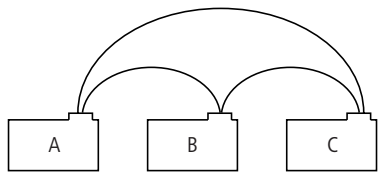
TEST



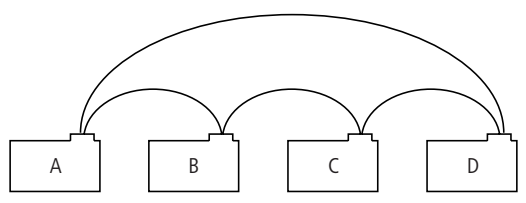
A	B
OFF	OFF
ON/TRIP	ON
ON	ON/TRIP



A	B	C
OFF	OFF	OFF
ON	ON/TRIP	ON
ON/TRIP	ON	ON/TRIP



A	B	C
OFF	OFF	OFF
ON/TRIP	ON	ON
ON	ON/TRIP	ON
ON	ON	ON/TRIP



A	B	C	D
OFF	OFF	OFF	OFF
ON/TRIP	ON	ON/TRIP	ON
ON	ON/TRIP	ON	ON/TRIP