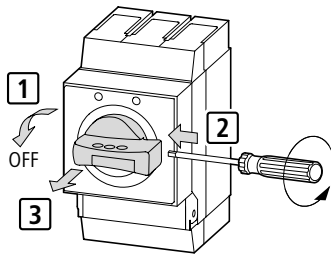


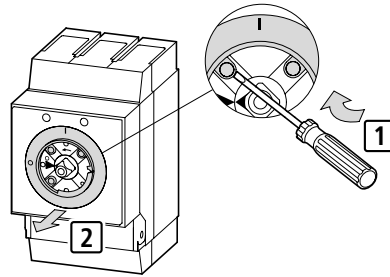
**NZM1-XMV**  
**NZM2-XMV**

**NZM3-XMV**  
**NZM4-XMV**

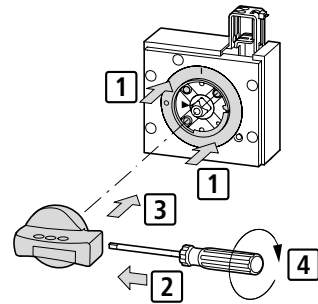
**1a** NZM...-XD(V)(R)



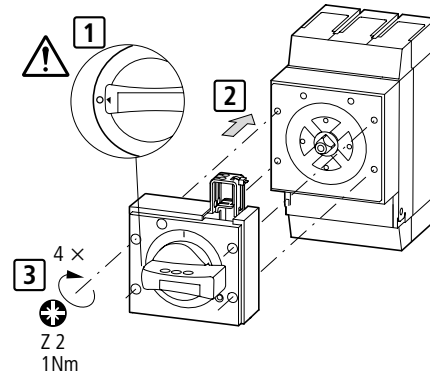
**2a**



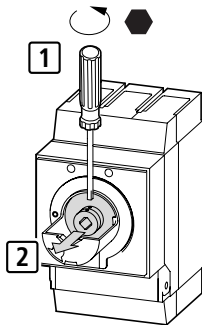
**3a**



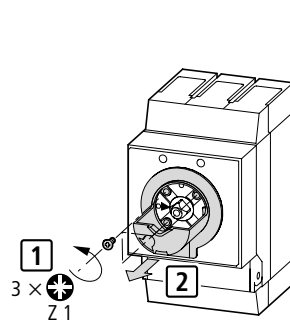
**4a**



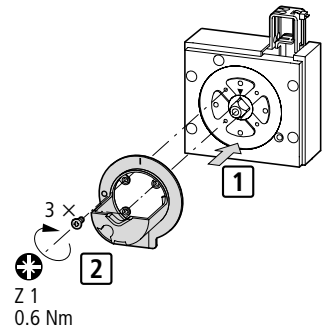
**1b** NZM...-XT(V)D(V)(R)



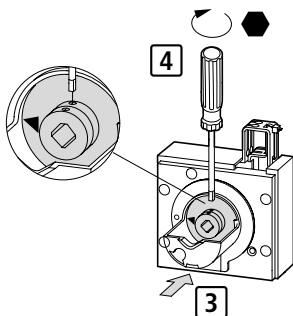
**2b**



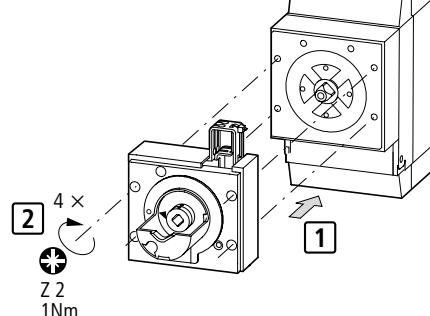
**3b**



**4b**



**5b**



**Lebensgefahr durch elektrischen Strom!**  
 Nur Elektrofachkräfte und elektrotechnisch unterwiesene Personen dürfen die im Folgenden beschriebenen Arbeiten ausführen.

**Electric current! Danger to life!**  
 Only skilled or instructed persons may carry out the following operations.

**Tensione elettrica pericolosa !**  
 Seules les personnes qualifiées et averties doivent exécuter les travaux ci-après.

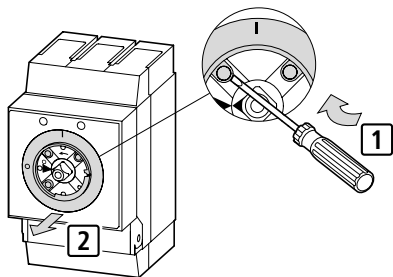
**Tensione elettrica: Pericolo di morte!**  
 Solo persone abilitate e qualificate possono eseguire le operazioni di seguito riportate.

**¡Corriente eléctrica! ¡Peligro de muerte!**  
 El trabajo a continuación descrito debe ser realizado por personas cualificadas y advertidas.

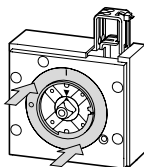
**Электрический ток! Опасно для жизни!**  
 Только специалисты или проинструктированные лица могут выполнять следующие операции.

**触电危险!**  
 只允许专业人员和受过专业训练的人员进行下列工作。

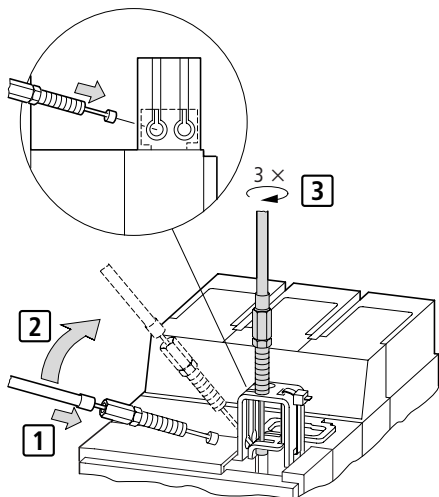
**2c** NZM...-XT(V)D(V)(R)-(60)(0)



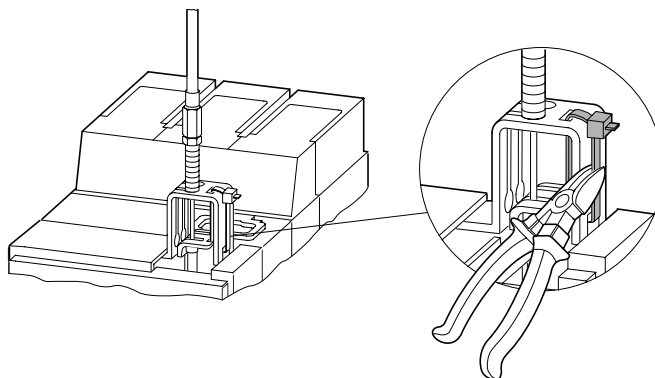
**3c**



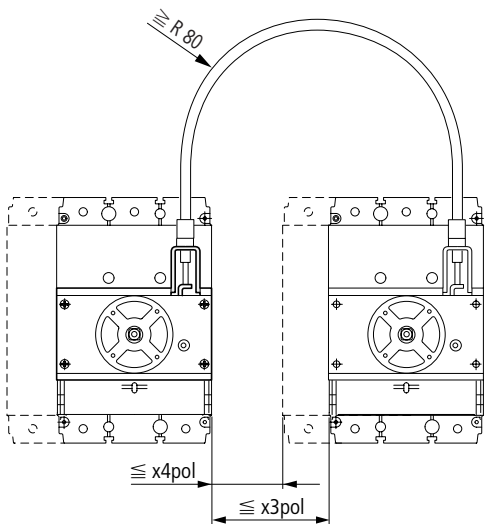
**1** NZM...-XMV



**2**



**3**



**NZM-XBZ225**

|      |         | NZM1        |             | NZM2        |             | NZM3        |             | NZM4        |             |
|------|---------|-------------|-------------|-------------|-------------|-------------|-------------|-------------|-------------|
|      |         | x3pol<br>mm | x4pol<br>mm | x3pol<br>mm | x4pol<br>mm | x3pol<br>mm | x4pol<br>mm | x3pol<br>mm | x4pol<br>mm |
| NZM1 | 3/4 pol | 135         | 105         | 120         | 85          | 135         | 90          | 125         | 80          |
| NZM2 | 3/4 pol | 135         | 105         | 120         | 85          | 135         | 90          | 125         | 80          |
| NZM3 | 3/4 pol | 90          | 75          | 75          | 35          | 85          | 40          | 80          | 45          |
| NZM4 | 3/4 pol | 50          | 35          | 40          | 15          | 25          |             | 15          |             |

**NZM-XBZ600**

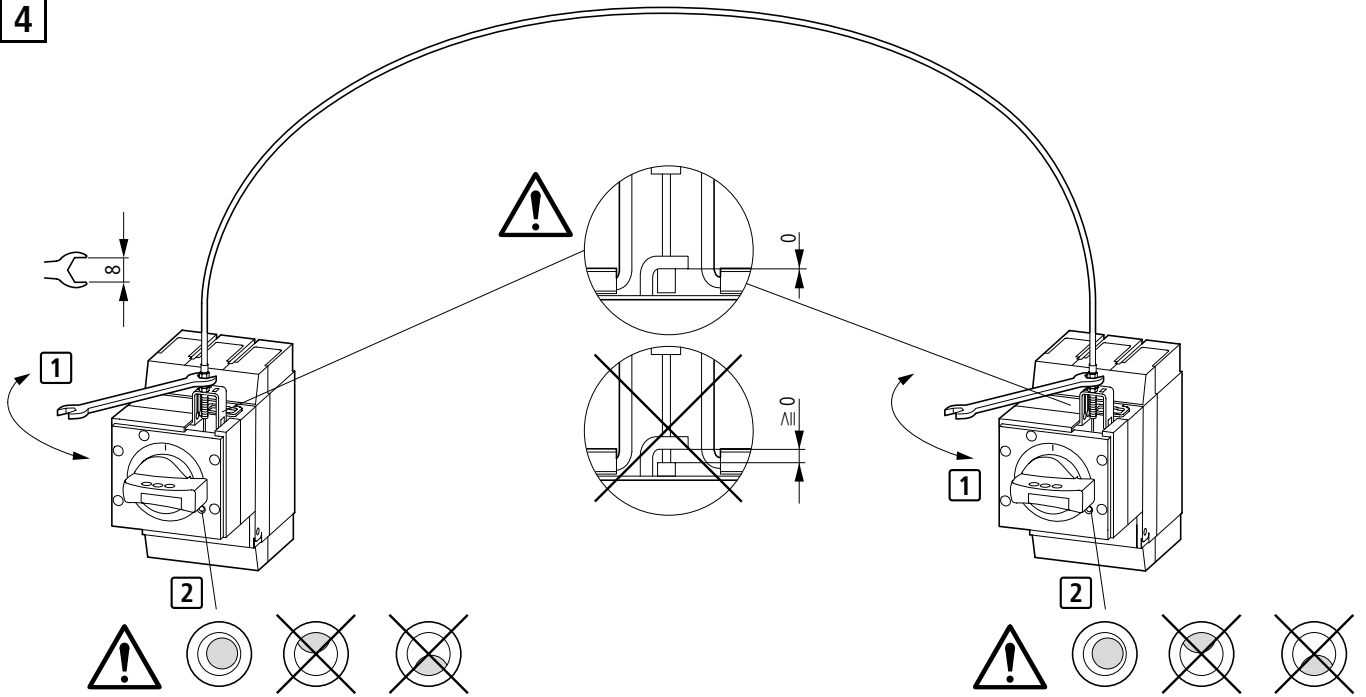
|      |         | NZM1        |             | NZM2        |             | NZM3        |             | NZM4        |             |
|------|---------|-------------|-------------|-------------|-------------|-------------|-------------|-------------|-------------|
|      |         | x3pol<br>mm | x4pol<br>mm | x3pol<br>mm | x4pol<br>mm | x3pol<br>mm | x4pol<br>mm | x3pol<br>mm | x4pol<br>mm |
| NZM1 | 3/4 pol | 510         | 480         | 495         | 460         | 510         | 465         | 475         | 405         |
| NZM2 | 3/4 pol | 510         | 480         | 495         | 460         | 510         | 465         | 475         | 405         |
| NZM3 | 3/4 pol | 460         | 430         | 450         | 410         | 460         | 415         | 460         | 390         |
| NZM4 | 3/4 pol | 400         | 370         | 380         | 340         | 400         | 375         | 390         | 320         |

**NZM-XBZ1000**

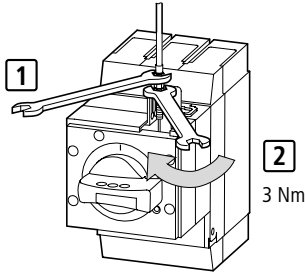
|      |         | NZM1        |             | NZM2        |             | NZM3        |             | NZM4        |             |
|------|---------|-------------|-------------|-------------|-------------|-------------|-------------|-------------|-------------|
|      |         | x3pol<br>mm | x4pol<br>mm | x3pol<br>mm | x4pol<br>mm | x3pol<br>mm | x4pol<br>mm | x3pol<br>mm | x4pol<br>mm |
| NZM1 | 3/4 pol | 910         | 880         | 895         | 860         | 910         | 865         | 865         | 795         |
| NZM2 | 3/4 pol | 910         | 880         | 895         | 860         | 910         | 865         | 865         | 795         |
| NZM3 | 3/4 pol | 820         | 790         | 850         | 810         | 860         | 815         | 860         | 790         |
| NZM4 | 3/4 pol | 750         | 720         | 730         | 700         | 800         | 775         | 790         | 720         |

04/04 AWA1230-2152

4

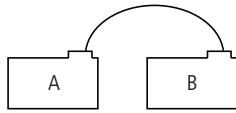


5

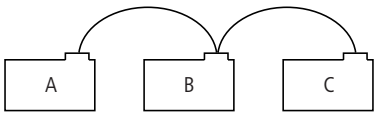


04/04 AWA1230-2152

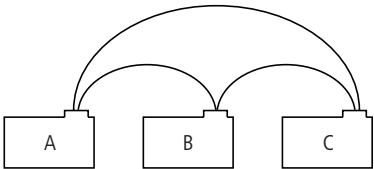
**TEST**



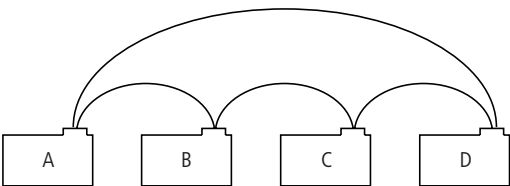
| A             | B             |
|---------------|---------------|
| OFF           | OFF           |
| ON/TRIP       | <del>ON</del> |
| <del>ON</del> | ON/TRIP       |



| A             | B             | C             |
|---------------|---------------|---------------|
| OFF           | OFF           | OFF           |
| <del>ON</del> | ON/TRIP       | <del>ON</del> |
| ON/TRIP       | <del>ON</del> | ON/TRIP       |



| A             | B             | C             |
|---------------|---------------|---------------|
| OFF           | OFF           | OFF           |
| ON/TRIP       | <del>ON</del> | <del>ON</del> |
| <del>ON</del> | ON/TRIP       | <del>ON</del> |
| <del>ON</del> | <del>ON</del> | ON/TRIP       |



| A             | B             | C             | D             |
|---------------|---------------|---------------|---------------|
| OFF           | OFF           | OFF           | OFF           |
| ON/TRIP       | <del>ON</del> | ON/TRIP       | <del>ON</del> |
| <del>ON</del> | ON/TRIP       | <del>ON</del> | ON/TRIP       |