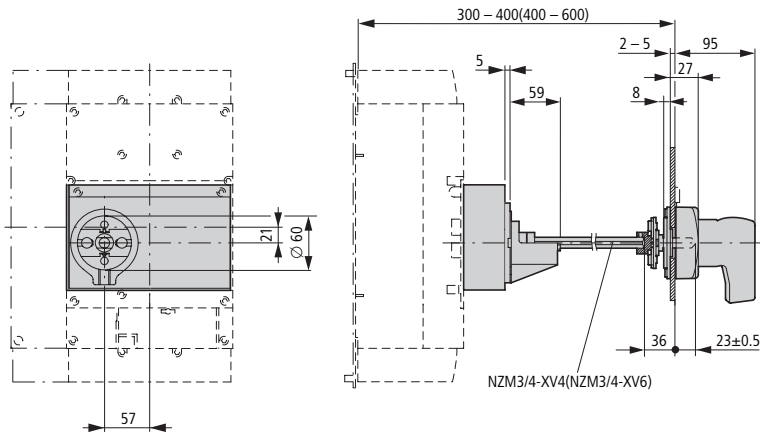
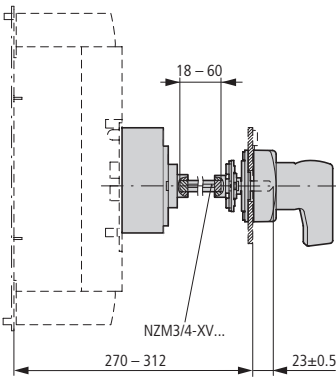


Door coupling rotary handle with extension shaft

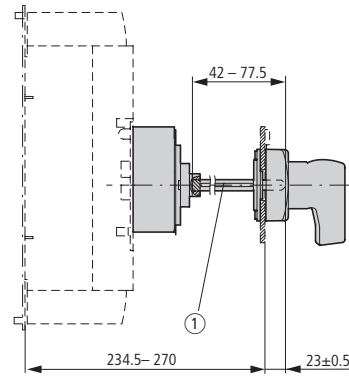
NZM4-XTVD(V)(R)(-NA)  
NZM3/4-XV4(6)



NZM4-XTVD(V)(R)-60(-NA)

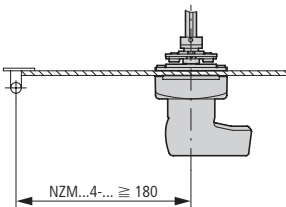


NZM4-XTVD(V)(R)-0(-NA)



① Special tip

Minimum door coupling rotary handle clearance from door pivot point



Main switch mounting kits for side-wall mounting

NZM4-XS(R)-L  
NZM4-XS(R)-R

