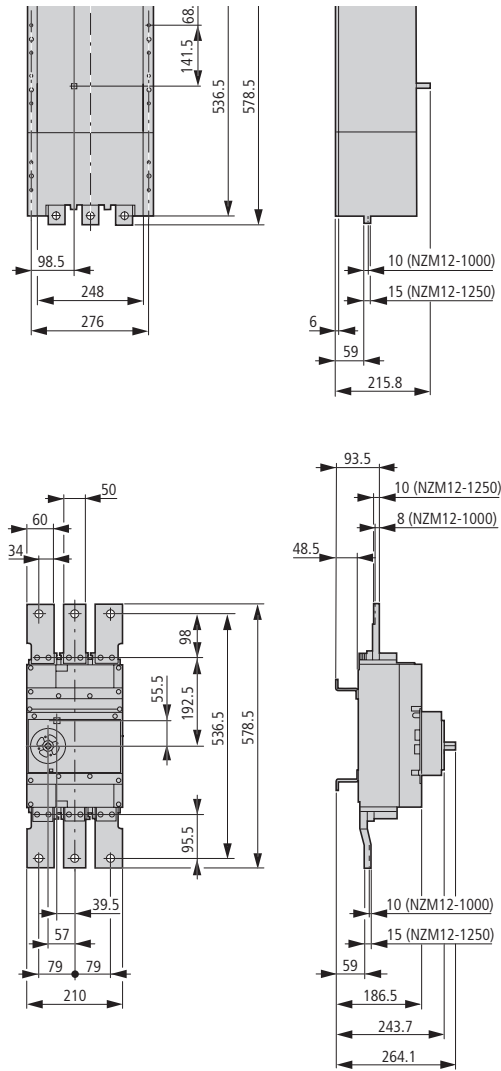


Replacement of N12-1000(1250) with N4 with module plate, fixed mounted on mounting plate

N4-XAS12-1000(1250)



Replacement of N12-1600 with N4 with module plate, fixed mounted on mounting plate

N4-XAS12-1600

