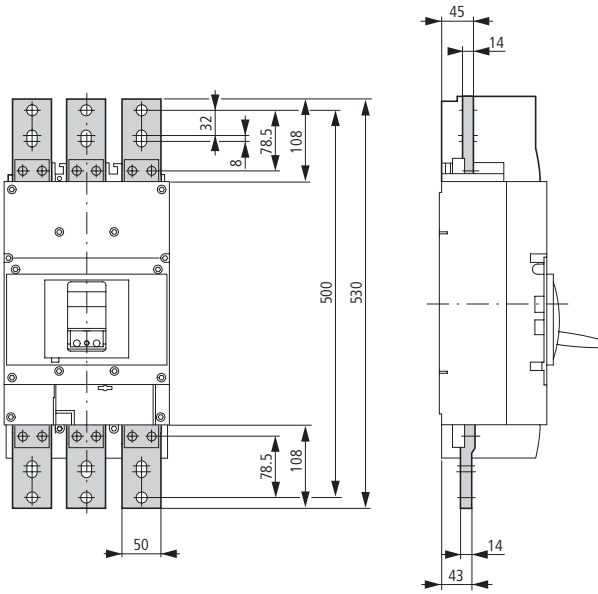
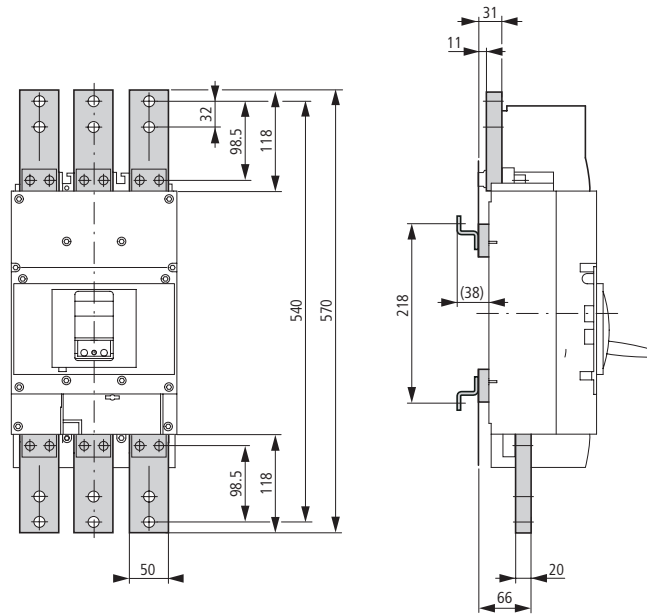


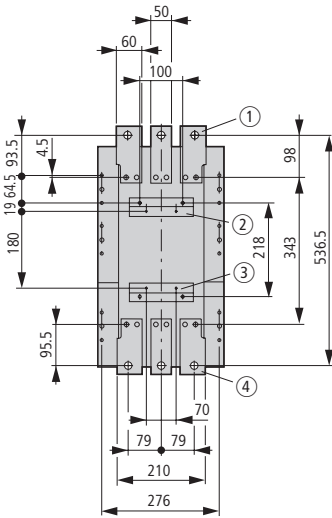
Set of adapters  
NZM4-XAS14-1250



NZM4-XAS14-1600



Drilling template NZM12-1000 (1250) change to NZM4



- ① Module plate NZM4-XAS12-1000(1250)
- ② Drillings for mounting bracket NZM4-XAS12(M5)
- ③ Mounting bracket NZM4-XAS12
- ④ Mounting rail NZM12