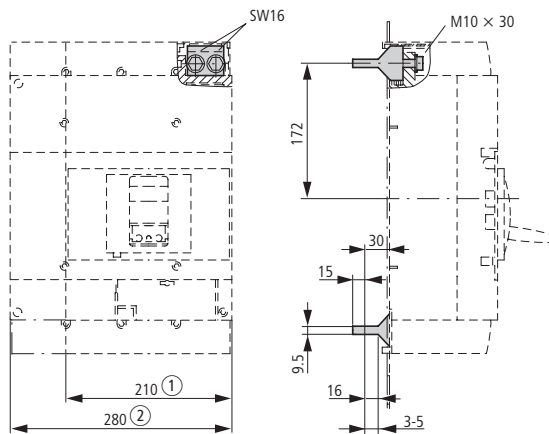
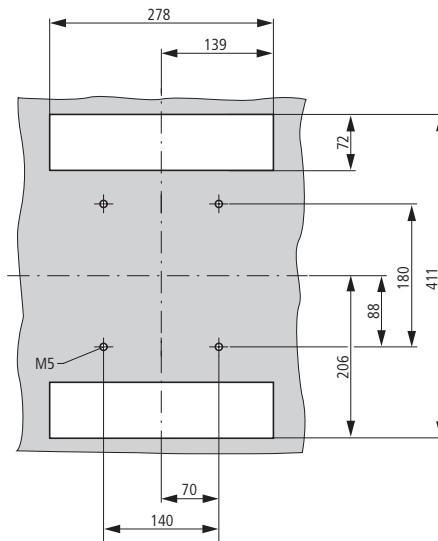


Connection on rear
NZM4(-4)-XKR

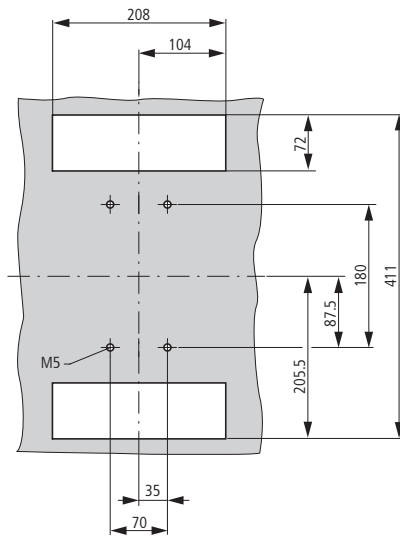
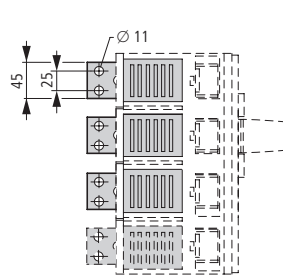


Fitting on mounting plate



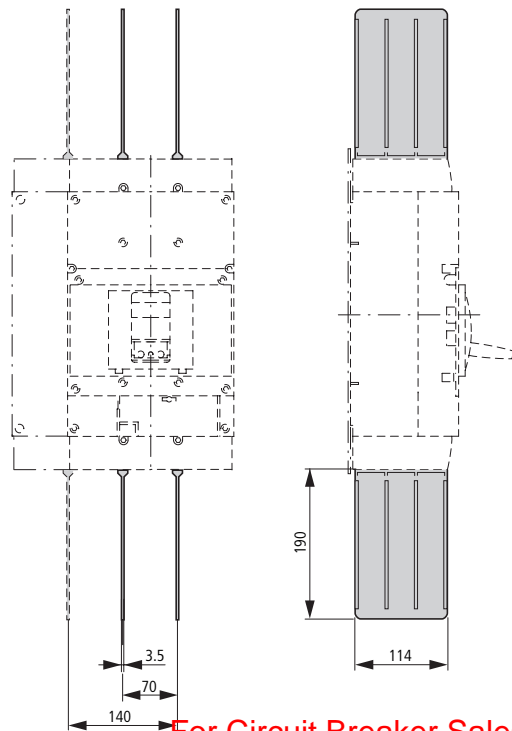
Rear connection possible also with rotation by 90°.

- ① 3 pole
- ② 4 pole



Phase isolators

NZM4-4-XKP



For Circuit Breaker Sales and Support call KMparts.com (866) 595-9616

