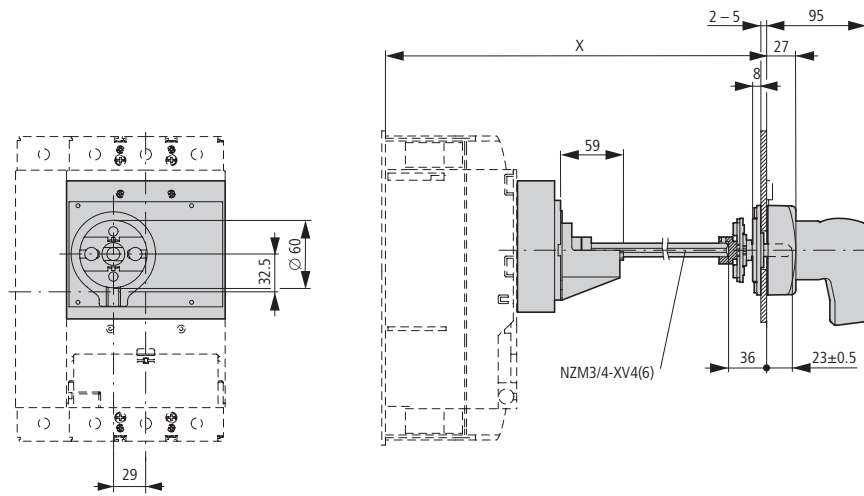


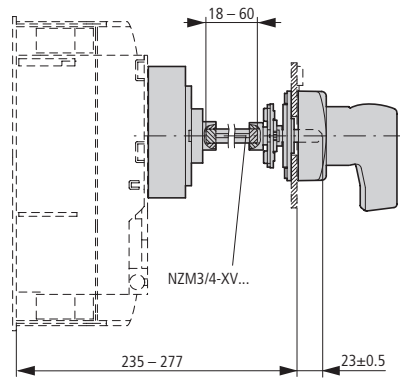
Door coupling rotary handle with extension shaft

NZM3-XTVD(V)(R)(-NA)
NZM3/4-XV4(6)

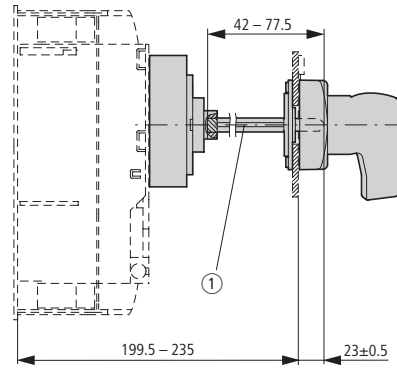


Part no.	x
NZM3/4-XV4	270 – 400
NZM3/4-XV6	400 – 600

NZM3-XTVD(V)(R)-60(-NA)



NZM3-XTVD(V)(R)-0(-NA)



① Special tip

Minimum door coupling rotary handle clearance from door pivot point

