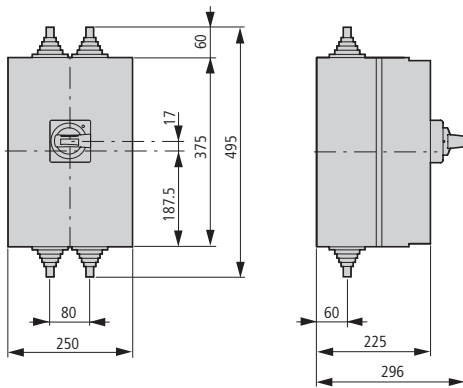
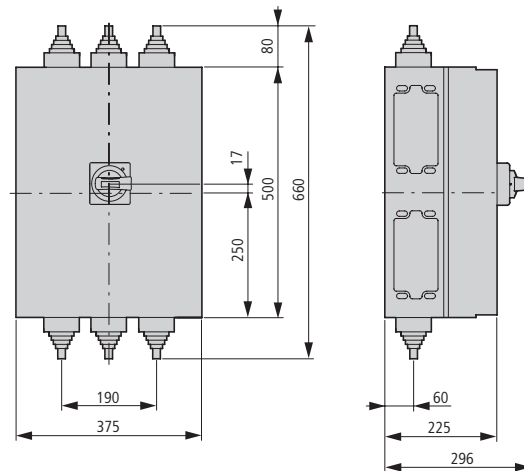


**Insulated enclosures**

NZM2-XCI43-T...

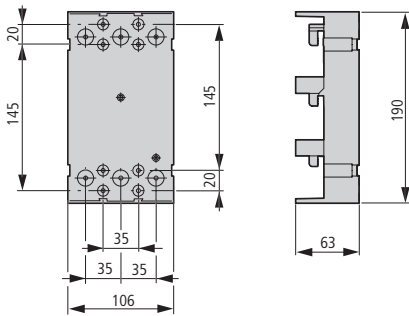


NZM2-XCI45-T...



**Component adapter**

NZM2-XAD250



**Plug-in units**

+NZM2(-4)-XSV

