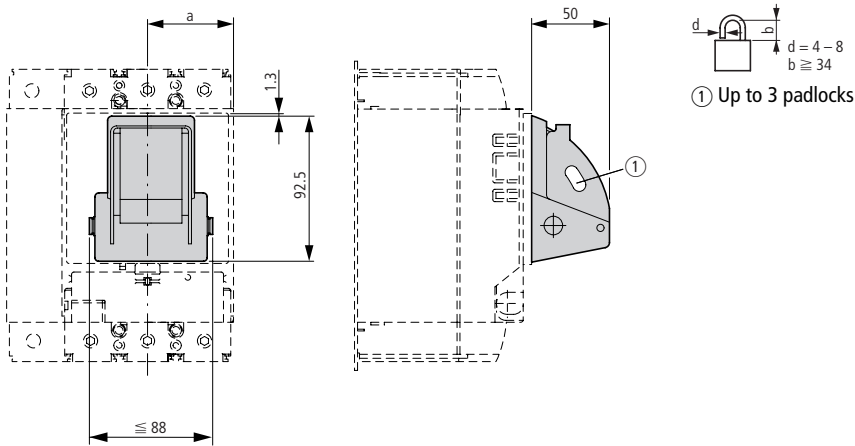


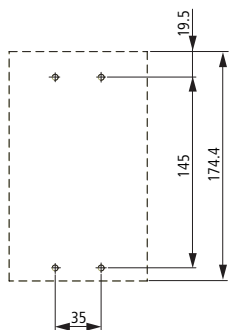
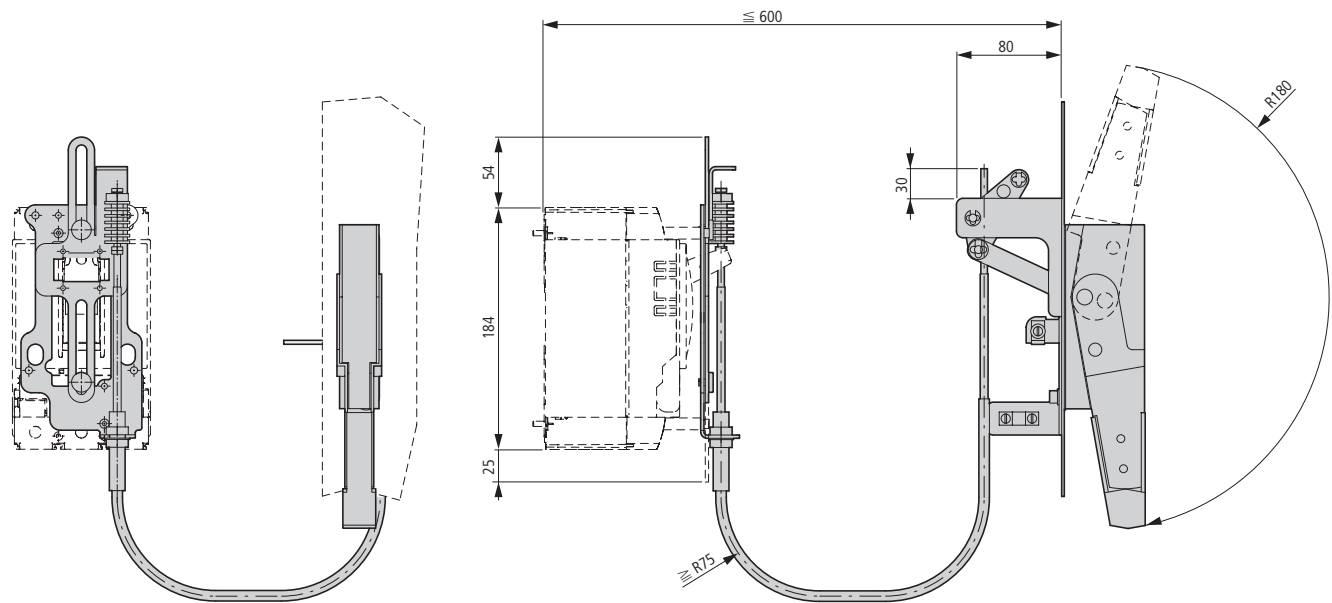
Toggle lever locking device
NZM2/3-XKAV



Part no.	a
NZM2, PN2, N2	52.5
NZM3, PN3, N3	70

Side-mounted handle

NZM2...



Drilling template