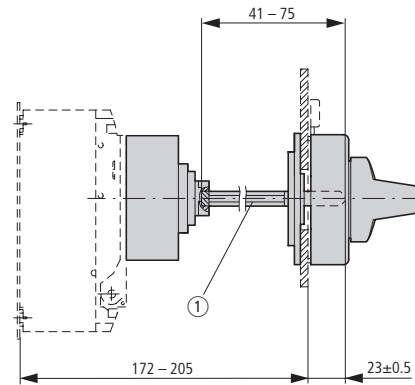
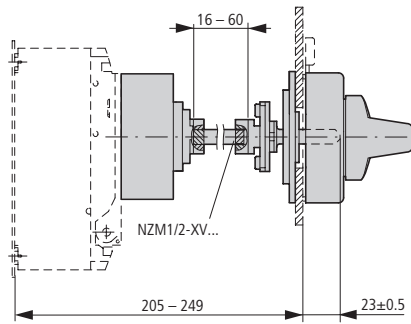


Door coupling rotary handle with extension shaft

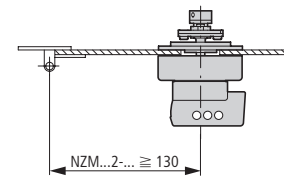
NZM2-XTVD(V)(R)-60(-NA)

NZM2-XTVD(V)(R)-0(-NA)

Minimum door coupling rotary handle clearance from door pivot point

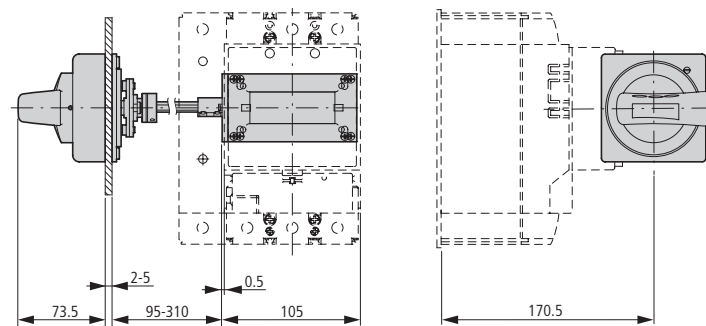


① Special tip



Main switch assembly kit for side panel mounting

NZM2-XS(R)-L



NZM2-XS(R)-R

