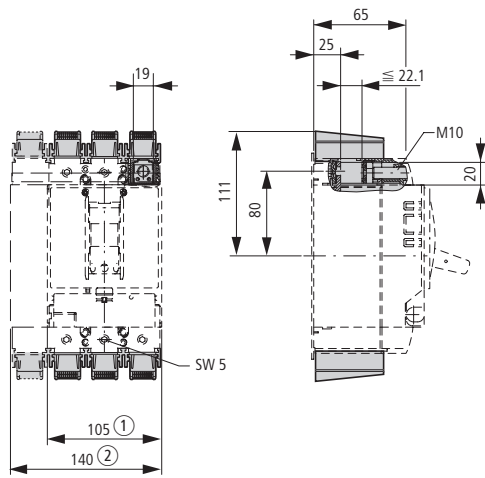


**Box terminal**

(+)NZM2(-4)-...-XKC(O)(U)

**IP2X protection against contact with a finger**

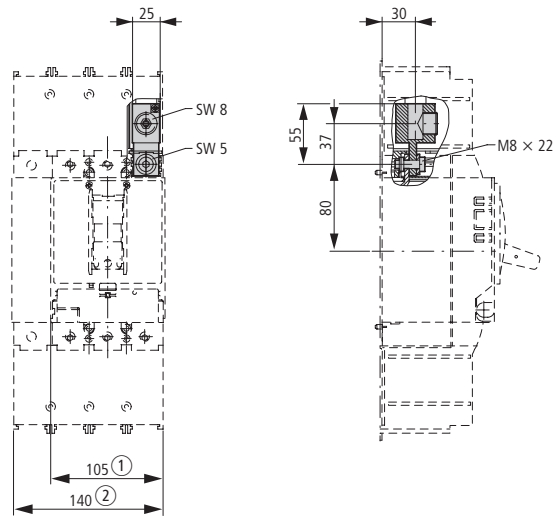
NZM2(-4)-XIPK



- ① 3 pole
- ② 4 pole

**Tunnel terminal**

NZM2(-4)-XKA



**Covers**

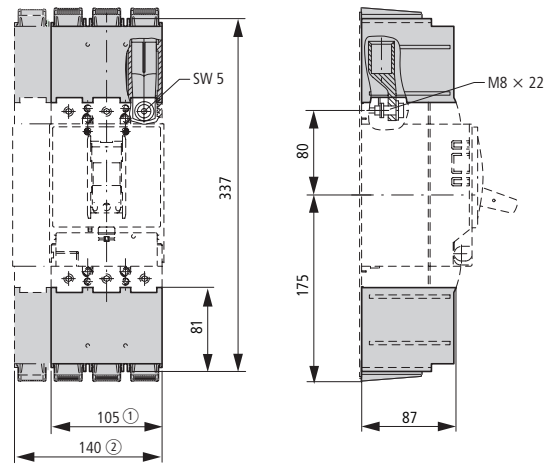
NZM2(-4)-XKSA

**Cable lug**

NZM2-XKS185

**IP2X protection against contact with a finger for shroud**

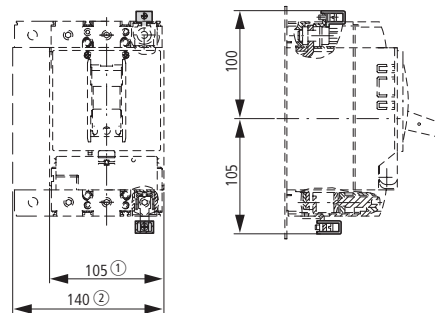
NZM2(-4)-XIPA



**Control circuit terminal**

NZM2-XSTS

NZM-XSTK



- ① 3 pole
- ② 4 pole