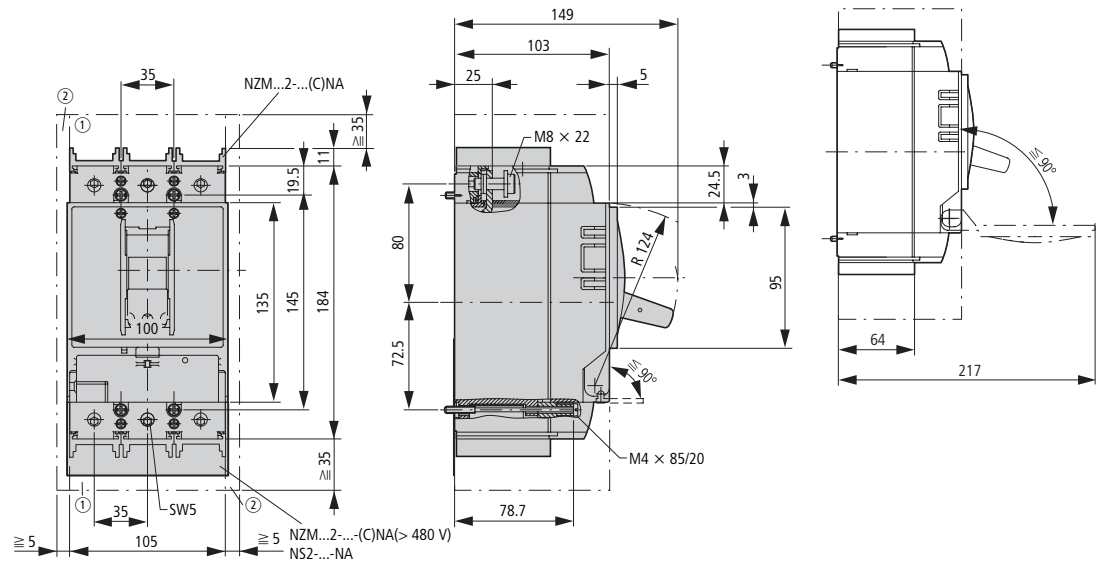


**Circuit-breaker
Switch-disconnector**

3 pole

- NZMB2
- NZMC2
- NZMN2
- NZMH2
- PN2
- N2
- NS2

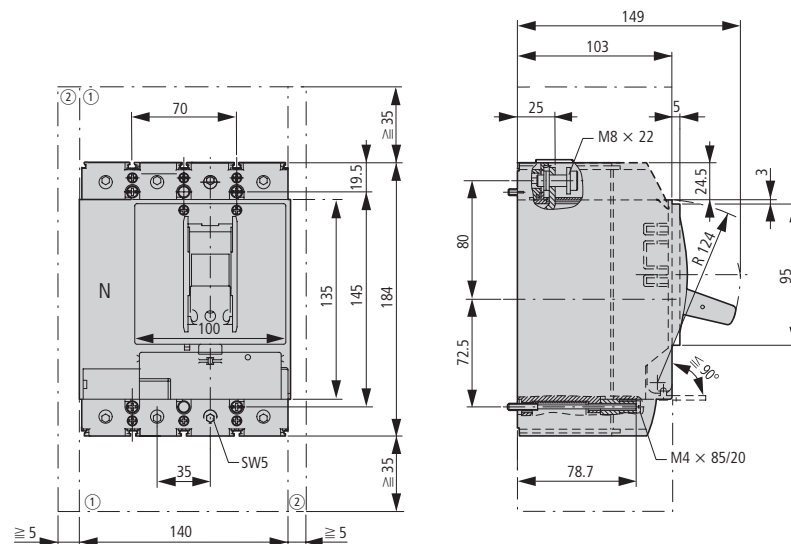


- ① Blow out area, minimum distance to other parts ≥ 35 mm
- ② Minimum distance to adjacent parts ≥ 5 mm

**Circuit-breaker
Switch-disconnector**

4 pole

- NZMB2-4
- NZMN2-4
- NZMH2-4
- PN2-4
- N2-4



- ① Blow out area, minimum distance to other parts ≥ 35 mm
- ② Minimum distance to adjacent parts ≥ 5 mm

