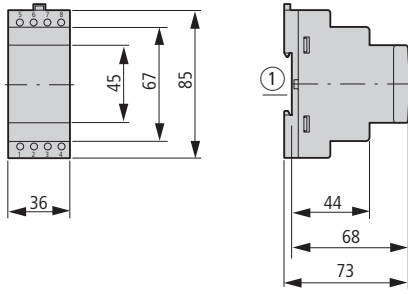


Residual-current relay

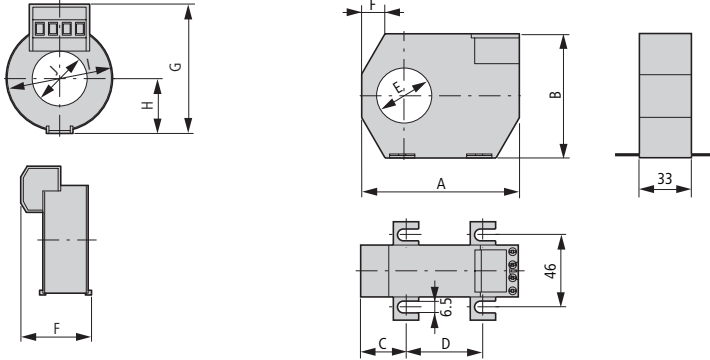
PFR-003
PFR-03
PFR-5



Current transformer

PFR-W-20...30

PFR-W-35...210



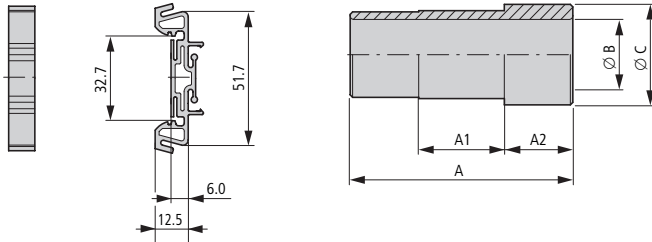
Part no.	A	B	C	D	E	F
PFR-W-35	100	79	26	48.5	35	35
PFR-W-70	130	110	32	66	70	52
PFR-W-105	170	146	38	94	105	72
PFR-W-140	220	196	48.5	123	140	97
PFR-W-210	299	284	69	161	210	141

	F	G	H	I	J
PFR-W-20	32	60	24	46	21
PFR-W-30	32	70	30	59	30

Fixing clip

PFR-WC

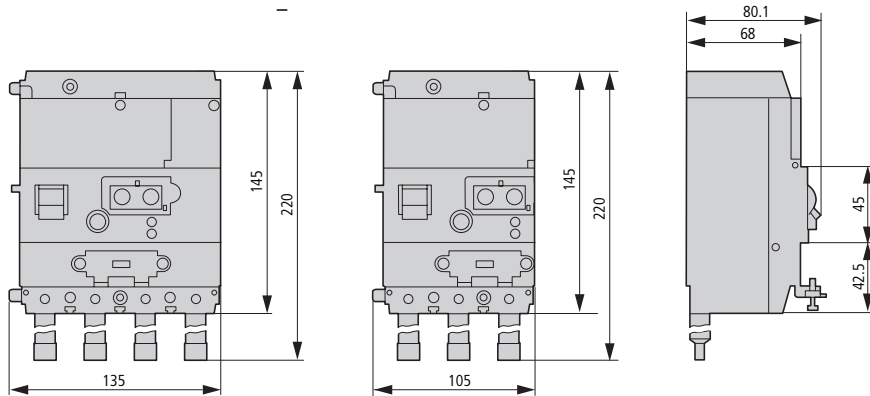
PFR-WMA



Part no.	A	ØB	ØC	A1	A2
PFR-WMA-35	91	28	40	35	28
PFR-WMA-70	105	62	75	35	35
PFR-WMA-105	153	98	110	35	60
PFR-WMA-140	153	133	145	35	60
PFR-WMA-210	153	203	215	35	60

Residual-current release

NZM1(-4)-XFI...R



NZM1(-4)-XFI...U

