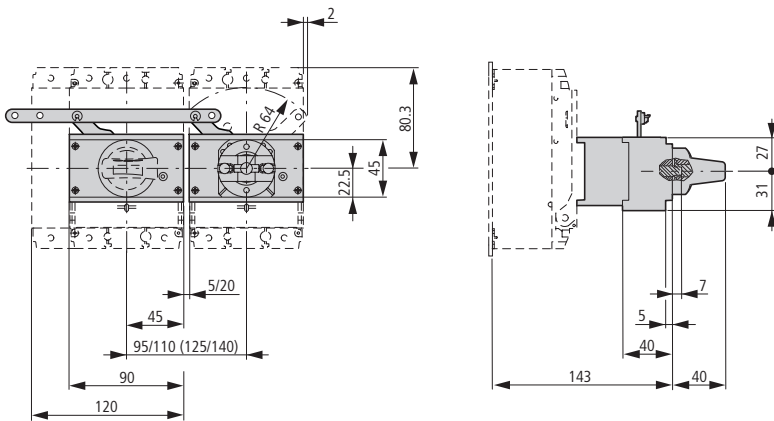
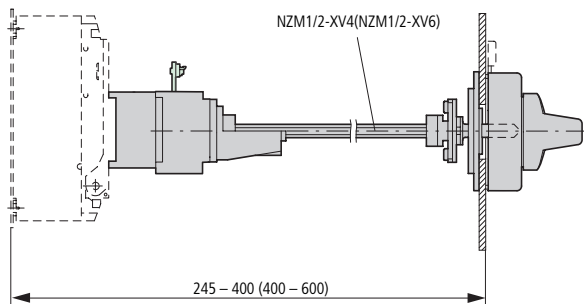


Paralleling mechanism

PN1-XPA

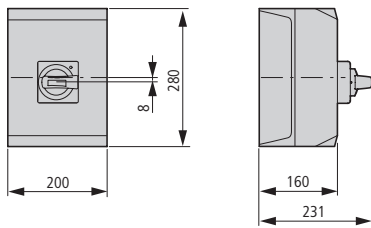


PN1-XPA

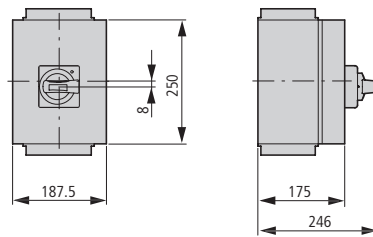


Insulated enclosures

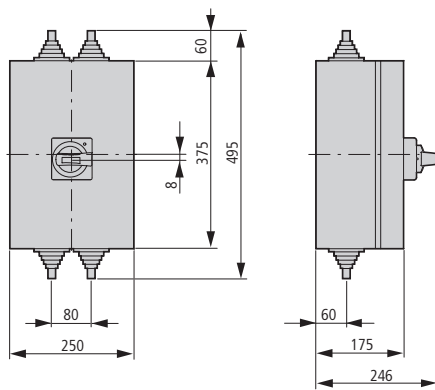
NZM1-XCIK5-T...



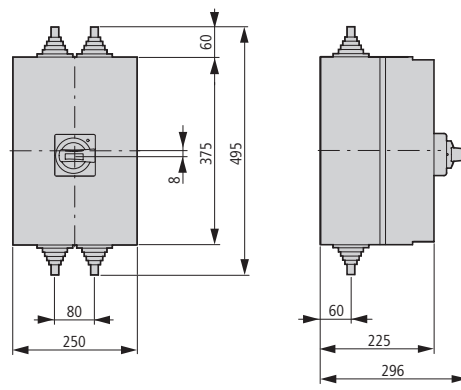
NZM1-XCI23-T...



NZM1-XCI43-T...



NZM1-XCI43/2-T...



Component adapter

NZM1-XAD160

