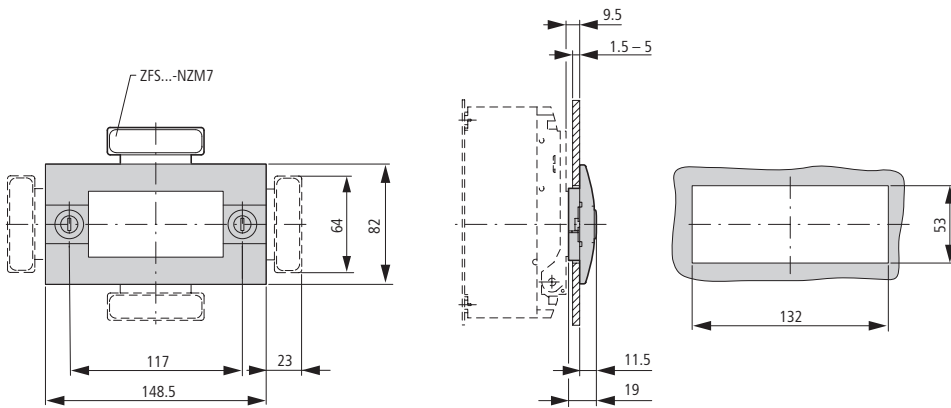


Insulating surrounds

NZM1-XBR

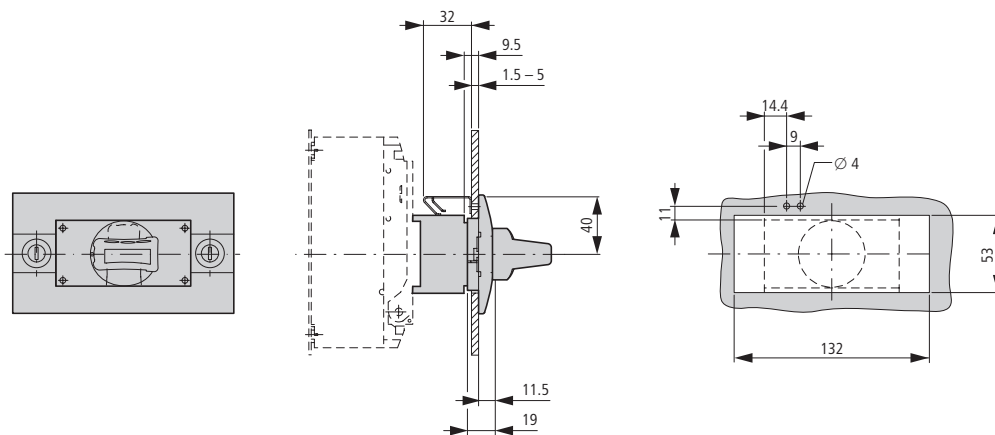
① Mounting aperture



Rotary handle on switch with door interlock

NZM1-XDTV(R)

① Mounting aperture



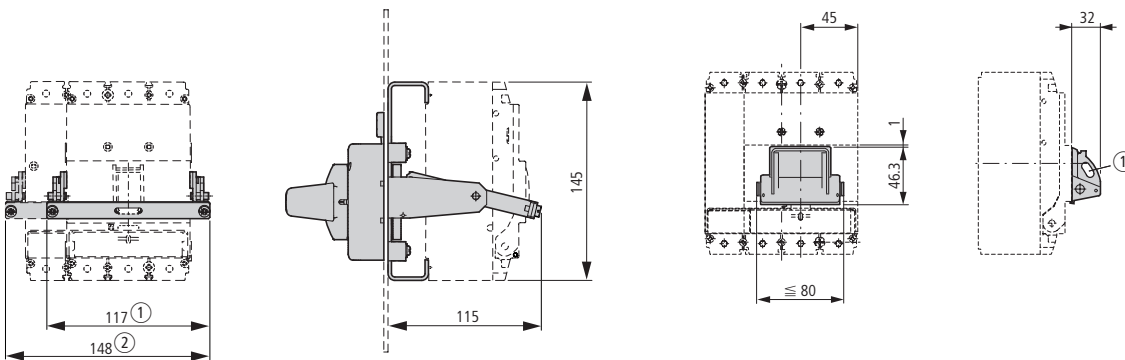
Rear drive

NZM1-XRAV(R)

NZM1-4-XRAV(R)

Toggle lever locking device

NZM1-XKAV



① NZM1-XRAV(R)
② NZM1-4-XRAV(R)

d = 4 - 8
b ≥ 34

① Up to 3 padlocks

