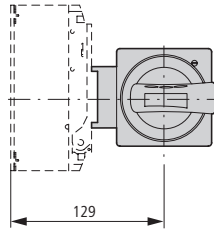
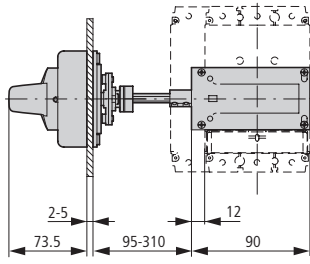
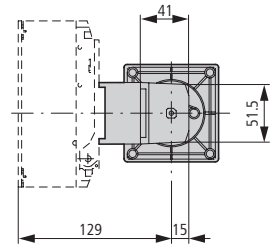
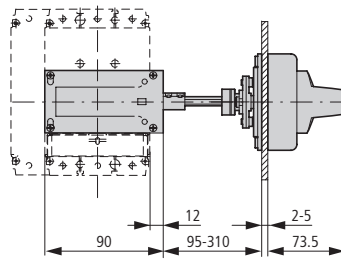


Main switch assembly kit for side panel mounting

NZM1-XS(R)-L

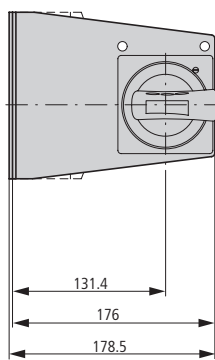
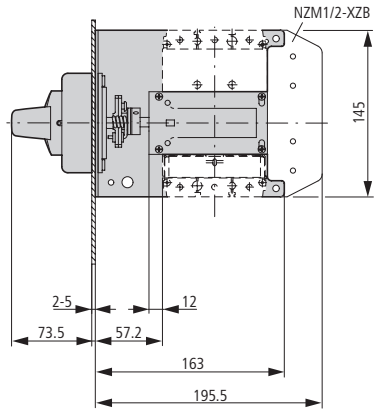


NZM1-XS(R)-R

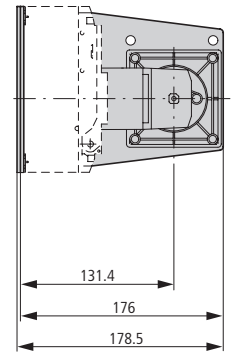
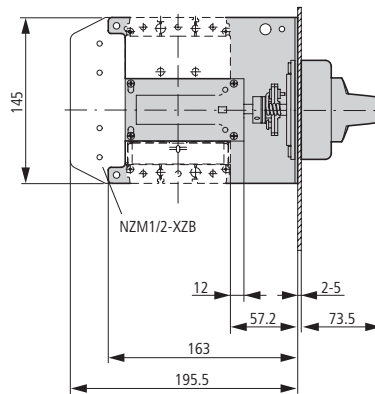


Main switch assembly kit for side panel mounting with mounting bracket

NZM1-XS(R)M-L



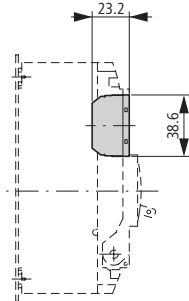
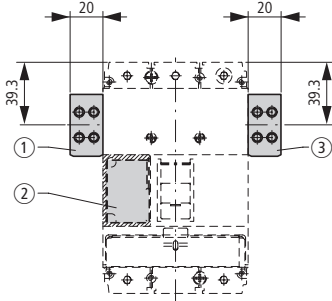
NZM1-XS(R)M-R



Undervoltage release

Shunt release

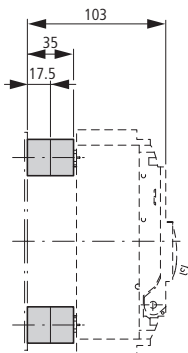
Early-make auxiliary contacts



- ① NZM1-XA(HIV)
NZM1-XU(HIV)(20)
NZM1-XHIV
- ② NZM1-XA(HIV)(L)
NZM1-XU(V)(HIV)(L)(20)
NZM1-XHIV(L)
- ③ NZM1-XHIVR

Spacers

NZM1/2-XAB



Clip plate

NZM1-XC35

