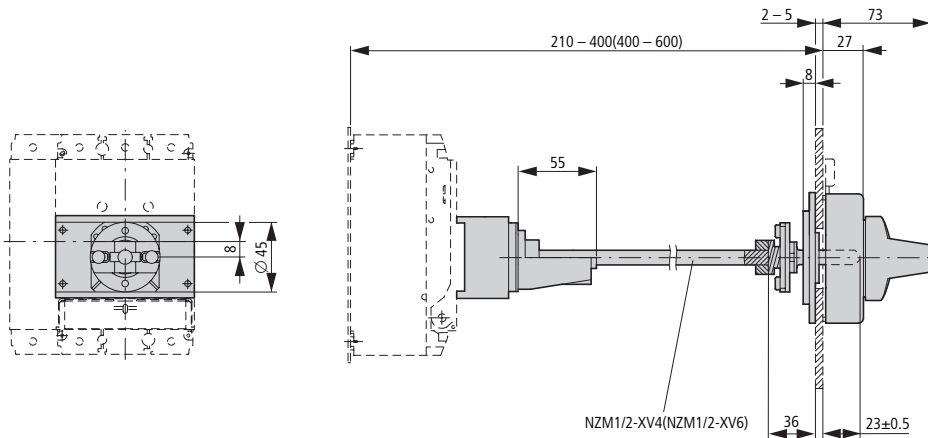
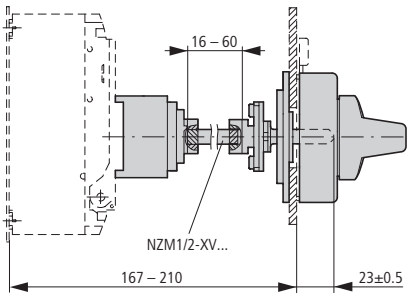


Door coupling rotary handle with extension shaft

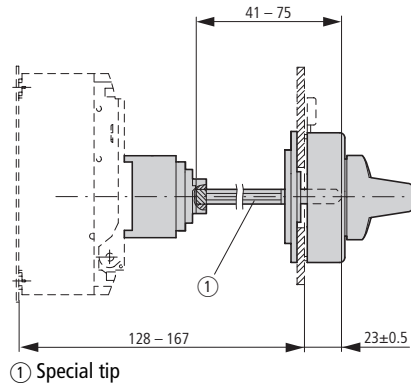
NZM1-XTVD(V)(R)(-NA)
NZM1/2-XV4(6)



NZM1-XTVD(V)(R)-60(-NA)



NZM1-XTVD(V)(R)-0(-NA)



Minimum door coupling rotary handle clearance from door pivot point

