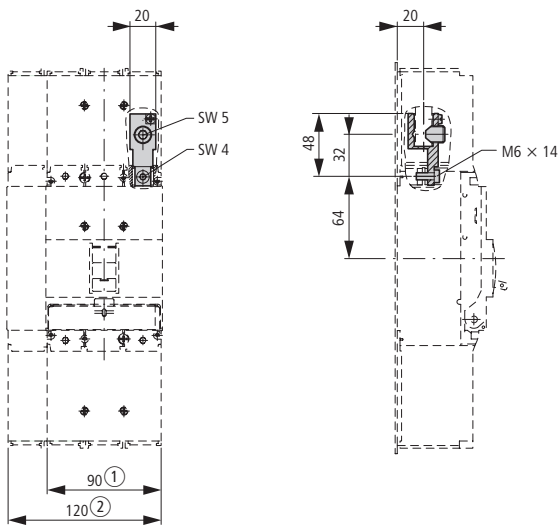


Tunnel terminal

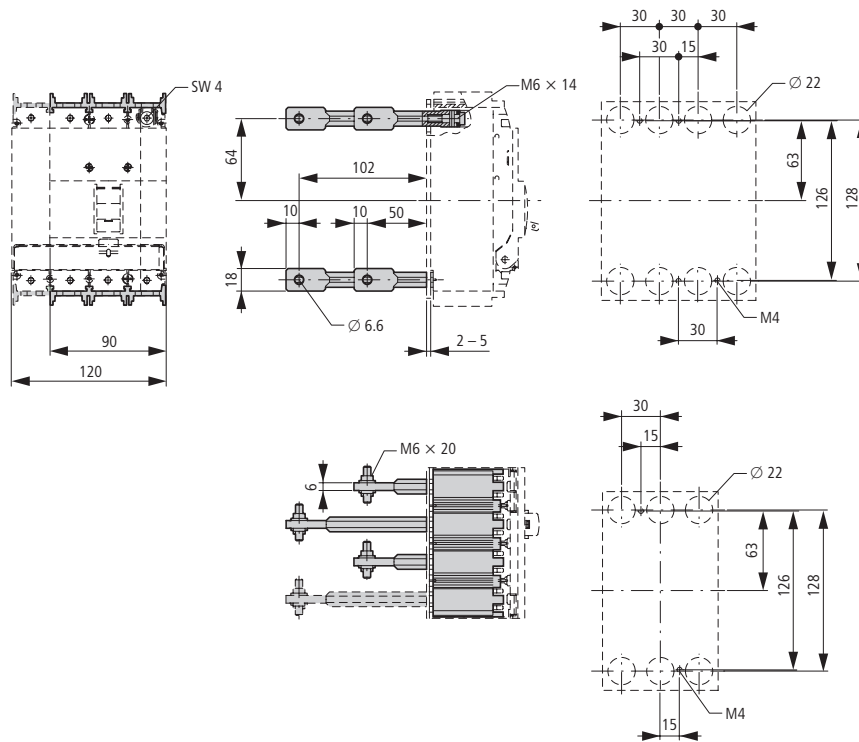
NZM1(-4)-XKA



- ① 3 pole
- ② 4 pole

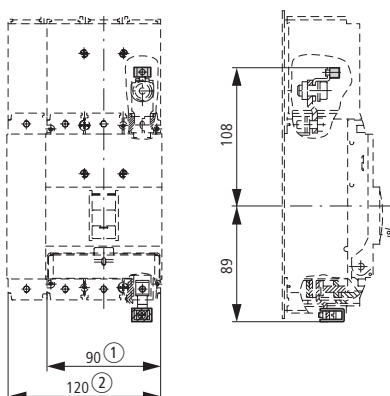
Connection on rear

NZM1(4)-XKR



Control circuit terminal

NZM1-XIPK, NZM-XSTK



- ① 3 pole
- ② 4 pole

IP2X protection against contact with a finger

NZM1(-4)-XIPK

