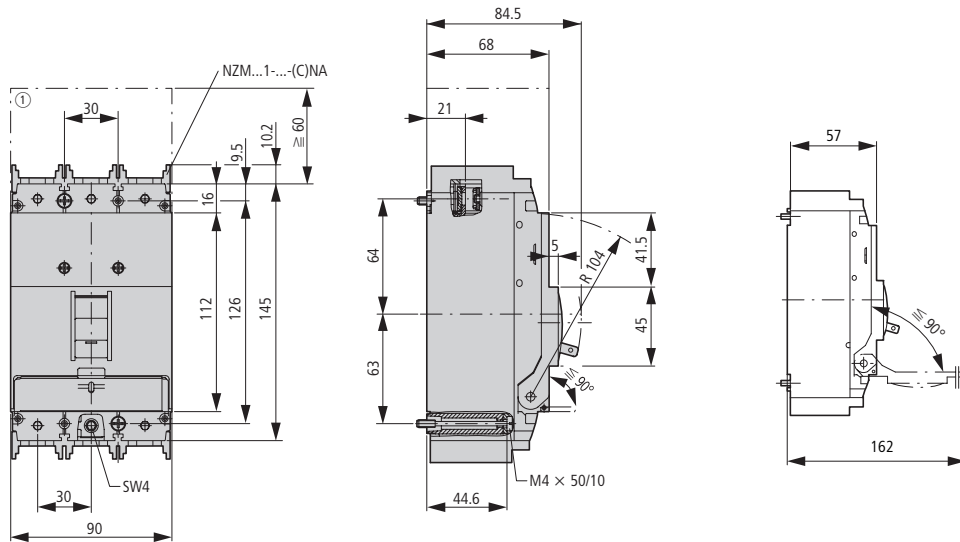


**Circuit-breaker
Switch-disconnector**

3 pole

- NZMB1
- NZMC1
- NZMN1
- NZMH1
- PN1
- N1
- NS1



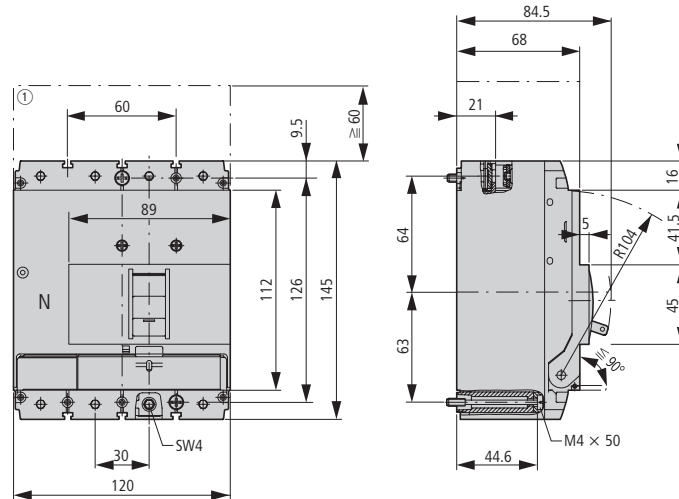
① Blow out area, minimum clearance to other parts ≥ 60 mm

Circuit-breaker

Switch-disconnector

4 pole

- NZMB1-4
- NZMN1-4
- NZMH1-4
- PN1-4
- N1-4



① Blow out area, minimum clearance to other parts ≥ 60 mm

Covers

NZM1(-4)-XKSA

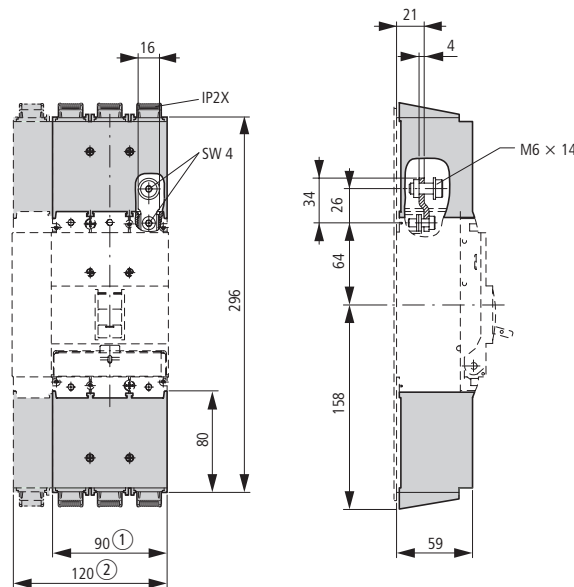
Screw connection

NZM1(-4)-XKS

IP2X protection against contact with a finger for shroud

NZM1(-4)-XIPA

Screw connection



① 3 pole
② 4 pole